

Strong admissibility revisited: theory and applications

Martin Caminada^a and Paul Dunne^b

^a *Cardiff University, Queen's Buildings, 5 The Parade, Cardiff CF24 2LQ, United Kingdom*
E-mail: CaminadaM@cardiff.ac.uk

^b *University of Liverpool, Ashton Building, Liverpool L69 7ZF, United Kingdom*
E-mail: P.E.Dunne@liverpool.ac.uk

Abstract. In the current paper, we re-examine the concept of *strong admissibility*, as was originally introduced by Baroni and Giacomin. We examine the formal properties of strong admissibility, both in its extension-based and in its labelling-based form, and analyse the computational complexity of the relevant decision problems. Moreover, we show that strong admissibility plays a vital role in discussion-based proof procedures for grounded semantics. In particular it allows one to compare the performance of alternative dialectical proof procedures for grounded semantics, and obtain some remarkable differences between the Standard Grounded Game and the Grounded Discussion Game.

Keywords: strong admissibility, grounded semantics, argument games

1. Introduction

Admissibility is generally seen as one of the cornerstones of abstract argumentation theory [1], as it is the basis of various argumentation semantics [2]. Not only does admissibility appeal to common intuitions [3], it is also one of the key requirements for obtaining a consistent outcome of instantiated argumentation formalisms [4–6].

Slightly less well-known is the principle of *strong admissibility*, which was originally introduced in [7]. The original aim of strong admissibility was to characterise the unique properties of the grounded extension. It turns out, however, that the concept is also useful for comparing the characteristics of the different dialectical proof procedures that have been stated in the literature. In particular, the Standard Grounded Game [8, 9] and the Grounded Discussion Game [10] prove membership of the grounded extension essentially by constructing a strongly admissible labelling where the argument in question is labelled *in*. However, as we will see, the Grounded Discussion Game is able to do so in a more efficient way, requiring a number of steps that is *linearly* related to the *in/out*-size of the strongly admissible labelling,¹ whereas the Standard Grounded Game can require a number of steps that is *exponentially* related to the *in/out*-size of the strongly admissible labelling.

The remaining part of the current paper is structured as follows. First, in Section 2 we briefly summarise some of the key concepts of abstract argumentation theory, both in its extension and in its labelling based form. In Section 3, we then discuss the extension based version of strong admissibility and

¹With the *in/out*-size of a labelling $\mathcal{L}ab$, we mean $|\text{in}(\mathcal{L}ab) \cup \text{out}(\mathcal{L}ab)|$.

examine its formal properties. In Section 4 we introduce the labelling based version of strong admissibility and show how it relates to its extension based version. In Section 5 we examine the computational complexity of some of the decision problems related to strong admissibility. In Section 6 we then re-examine the Standard Grounded Game, and the Grounded Persuasion Game, and show that strong admissibility plays a vital role in describing the relative efficiency of these games. In Section 7 we then round off with a discussion of our results and some open research issues.²

2. Formal Preliminaries

In the current section, we briefly restate some of the key concepts of abstract argumentation theory, in both its extension based and labelling based form.

Definition 1. An argumentation framework is a pair (Ar, att) where Ar is a finite set of entities, called arguments, whose internal structure can be left unspecified, and att a binary relation on Ar . For any $A, B \in Ar$ we say that A attacks B iff $(A, B) \in att$.

Definition 2. Let (Ar, att) be an argumentation framework, $A \in Ar$ and $Args \subseteq Ar$. We define A^+ as $\{B \in Ar \mid A \text{ attacks } B\}$, A^- as $\{B \in Ar \mid B \text{ attacks } A\}$, $Args^+$ as $\cup\{A^+ \mid A \in Args\}$, and $Args^-$ as $\cup\{A^- \mid A \in Args\}$. $Args$ is said to be conflict-free iff $Args \cap Args^+ = \emptyset$. $Args$ is said to defend A iff $A^- \subseteq Args^+$. The characteristic function $F : 2^{Ar} \rightarrow 2^{Ar}$ is defined as $F(Args) = \{A \mid Args \text{ defends } A\}$.

Definition 3. Let (Ar, att) be an argumentation framework. $Args \subseteq Ar$ is said to be:

- an admissible set iff $Args$ is conflict-free and $Args \subseteq F(Args)$
- a complete extension iff $Args$ is conflict-free and $Args = F(Args)$
- a grounded extension iff $Args$ is the smallest (w.r.t. \subseteq) complete extension
- a preferred extension iff $Args$ is a maximal (w.r.t. \subseteq) complete extension

If $Args$ is a conflict-free set, then its down-admissible set (written as $Args_{\downarrow}$) is defined as the (unique) biggest (w.r.t. \subseteq) admissible subset of $Args$.³

The above definitions essentially follow the extension based approach of [1].⁴ It is also possible to define the key argumentation concepts in terms of argument labellings [14, 15].

Definition 4. Let (Ar, att) be an argumentation framework. An argument labelling is a partial function $\mathcal{L}ab : Ar \rightarrow \{\text{in}, \text{out}, \text{undec}\}$. An argument labelling is called an admissible labelling iff $\mathcal{L}ab$ is a total function and for each $A \in Ar$ it holds that:

- if $\mathcal{L}ab(A) = \text{in}$ then for each B that attacks A it holds that $\mathcal{L}ab(B) = \text{out}$

²This paper is an extended and thoroughly revised version of work that was presented at COMMA 2014 [11] and TAFE 2015 [10]. In particular, we have rewritten some of the previously unpublished proofs (of Theorem 1, Theorem 2, Theorem 3, Theorem 6 and Theorem 7) to take advantage of a new technical result (Lemma 2). Moreover, we have added results on computational complexity (Section 5) and we have decided to include the Grounded Discussion Game [10] instead of the outdated Grounded Discussion Game [12].

³The well-definedness of the down-admissible set follows from [13], where this concept is defined in its labellings form, together with the equivalence between extensions and labellings [14].

⁴In [1] a preferred extension is defined as a maximal admissible set, instead of as a maximal complete extension, but it can be shown that these are equivalent.

- if $\mathcal{L}ab(A) = \text{out}$ then there exists a B that attacks A such that $\mathcal{L}ab(B) = \text{in}$

$\mathcal{L}ab$ is called a complete labelling iff it is an admissible labelling and for each $A \in Ar$ it also holds that:

- if $\mathcal{L}ab(A) = \text{undec}$ then there is a B that attacks A such that $\mathcal{L}ab(B) = \text{undec}$, and for each B that attacks A such that $\mathcal{L}ab(B) \neq \text{undec}$ it holds that $\mathcal{L}ab(B) = \text{out}$

As a labelling is essentially a function, we sometimes write it as a set of pairs. Also, if $\mathcal{L}ab$ is a labelling, we write $\text{in}(\mathcal{L}ab)$ for $\{A \in Ar \mid \mathcal{L}ab(A) = \text{in}\}$, $\text{out}(\mathcal{L}ab)$ for $\{A \in Ar \mid \mathcal{L}ab(A) = \text{out}\}$ and $\text{undec}(\mathcal{L}ab)$ for $\{A \in Ar \mid \mathcal{L}ab(A) = \text{undec}\}$. As a labelling is also a partition of the arguments into sets of in-labelled arguments, out-labelled arguments and undec-labelled arguments, we sometimes write it as a triplet $(\text{in}(\mathcal{L}ab), \text{out}(\mathcal{L}ab), \text{undec}(\mathcal{L}ab))$.

Definition 5 ([13]). Let $\mathcal{L}ab$ and $\mathcal{L}ab'$ be argument labellings of argumentation framework (Ar, att) . We say that $\mathcal{L}ab \sqsubseteq \mathcal{L}ab'$ iff $\text{in}(\mathcal{L}ab) \subseteq \text{in}(\mathcal{L}ab')$ and $\text{out}(\mathcal{L}ab) \subseteq \text{out}(\mathcal{L}ab')$. $\mathcal{L}ab \sqcap \mathcal{L}ab'$ is defined as $(\text{in}(\mathcal{L}ab) \cap \text{in}(\mathcal{L}ab'), \text{out}(\mathcal{L}ab) \cap \text{out}(\mathcal{L}ab'), Ar \setminus ((\text{in}(\mathcal{L}ab) \cap \text{in}(\mathcal{L}ab')) \cup (\text{out}(\mathcal{L}ab) \cap \text{out}(\mathcal{L}ab'))))$. $\mathcal{L}ab \sqcup \mathcal{L}ab'$ is defined as $((\text{in}(\mathcal{L}ab) \setminus \text{out}(\mathcal{L}ab')) \cup (\text{in}(\mathcal{L}ab') \setminus \text{out}(\mathcal{L}ab)), (\text{out}(\mathcal{L}ab) \setminus \text{in}(\mathcal{L}ab')) \cup (\text{out}(\mathcal{L}ab') \setminus \text{in}(\mathcal{L}ab)), (\text{in}(\mathcal{L}ab) \cap \text{out}(\mathcal{L}ab') \cup (\text{out}(\mathcal{L}ab) \cap \text{in}(\mathcal{L}ab')) \cup (\text{undec}(\mathcal{L}ab) \cap \text{undec}(\mathcal{L}ab'))))$.

We say that $\mathcal{L}ab_1$ is a sublabelling of $\mathcal{L}ab_2$ (or alternatively, that $\mathcal{L}ab_2$ is a superlabelling of $\mathcal{L}ab_1$) iff $\mathcal{L}ab_1 \sqsubseteq \mathcal{L}ab_2$. If $\mathcal{L}ab$ is a total labelling (i.e. a total function), then its down-admissible labelling [13] (written as $\mathcal{L}ab \downarrow$) is defined as the (unique) biggest (w.r.t. \sqsubseteq) admissible sublabelling of $\mathcal{L}ab$.

Definition 6. Let $\mathcal{L}ab$ be a complete labelling of argumentation framework (Ar, att) . $\mathcal{L}ab$ is said to be

- a grounded labelling iff $\mathcal{L}ab$ is the (unique) smallest (w.r.t. \sqsubseteq) complete labelling
- a preferred labelling iff $\mathcal{L}ab$ is a maximal (w.r.t. \sqsubseteq) complete labelling

Given an argumentation framework (Ar, att) we define two functions Args2Lab and Lab2Args (to translate a conflict-free set of arguments to an argument labelling, and to translate an argument labelling to a set of arguments, respectively) such that $\text{Args2Lab}(\text{Args}) = (\text{Args}, \text{Args}^+, Ar \setminus (\text{Args} \cup \text{Args}^+))$ and $\text{Lab2Args}(\mathcal{L}ab) = \text{in}(\mathcal{L}ab)$. It has been proven [14] that if Args is an admissible set (resp. a complete, grounded or preferred extension) then $\text{Args2Lab}(\text{Args})$ is an admissible labelling (resp. a complete, grounded or preferred labelling), and that if $\mathcal{L}ab$ is an admissible labelling (resp. a complete, grounded or preferred labelling) then $\text{Lab2Args}(\mathcal{L}ab)$ is an admissible set (resp. a complete, grounded or preferred extension). Moreover, when the domain and range of Args2Lab and Lab2Args are restricted to complete extensions and complete labellings they become injective functions and each other's reverses, which implies that the complete extensions (resp. the grounded extension and the preferred extensions) and the complete labellings (resp. the grounded labelling and the preferred labellings) are one-to-one related [14].

3. Strongly Admissible Sets

The concept of strong admissibility was first introduced by Baroni and Giacomin [7], using the notion of *strong defence*.

Definition 7 ([7]). Let (Ar, att) be an argumentation framework, $A \in Ar$ and $Args \subseteq Ar$ be a set of arguments. A is strongly defended by $Args$ iff each attacker $B \in Ar$ of A is attacked by some $C \in Args \setminus \{A\}$ such that C is strongly defended by $Args \setminus \{A\}$.

Baroni and Giacomin say that a set $Args$ satisfies the strong admissibility property iff it strongly defends each of its arguments [7]. However, it is also possible to define strong admissibility without having to refer to strong defence.

Definition 8. Let (Ar, att) be an argumentation framework. $Args \subseteq Ar$ is strongly admissible iff every $A \in Args$ is defended by some $Args' \subseteq Args \setminus \{A\}$ which in its turn is again strongly admissible.

To illustrate the concept of strong admissibility, consider the argumentation framework of Figure 1. Here, the strongly admissible sets are \emptyset , $\{A\}$, $\{A, C\}$, $\{A, C, F\}$, $\{D\}$, $\{A, D\}$, $\{A, C, D\}$, $\{D, F\}$, $\{A, D, F\}$ and $\{A, C, D, F\}$, the latter also being the grounded extension. As an example, the set $\{A, C, F\}$ is strongly admissible as A is defended by \emptyset , C is defended by $\{A\}$ and F is defended by $\{A, C\}$, each of which is a strongly admissible subset of $\{A, C, F\}$ not containing the argument it defends. Please notice that although the set $\{A, F\}$ defends argument C in $\{A, C, F\}$, it is in its turn not strongly admissible (unlike $\{A\}$). Hence the requirement in Definition 8 for $Args'$ to be a subset of $Args \setminus \{A\}$. We also observe that although $\{C, H\}$ is an admissible set, it is not a strongly admissible set, since no subset of $\{C, H\} \setminus \{H\}$ defends H .

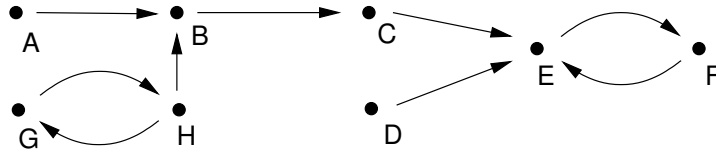


Fig. 1. An example of an argumentation framework.

It can be proved that a set is strongly admissible (in the sense of Definition 8) iff it strongly defends each of its arguments (in the sense of Definition 7). In order to do so, we need the following two lemmas.

Lemma 1. Let $A \in Ar$ and $Args_1, Args_2 \subseteq Ar$ such that $A \in Args_1$ and $Args_1 \subseteq Args_2$. If A is strongly defended by $Args_1$ then A is also strongly defended by $Args_2$.

Proof. By induction over the number of arguments in $Args_2$. Let $i = |Args_2|$.

basis For $i = 1$ it holds that $|Args_2| = 1$, which together with $A \in Args_1$ and $Args_1 \subseteq Args_2$ implies that $Args_1 = Args_2 = \{A\}$. From $Args_1 = Args_2$ it trivially holds that if A is strongly defended by $Args_1$ then A is also strongly defended by $Args_2$.

step Suppose the lemma holds for some $i \geq 1$. We now prove it also holds for $i + 1$. Let A be strongly defended by $Args_1$. We need to prove that A is also strongly defended by $Args_2$ with $|Args_2| = i + 1$. According to Definition 7 this would be the case if each attacker $B \in Ar$ of A is attacked by some $C \in Args_2 \setminus \{A\}$ such that C is strongly defended by $Args_2 \setminus \{A\}$. The fact that A is strongly defended by $Args_1$ means that each attacker $B \in Ar$ of A is attacked by some $C \in Args_1 \setminus \{A\}$. From the fact that $Args_1 \subseteq Args_2$ it follows that $Args_1 \setminus \{A\} \subseteq Args_2 \setminus \{A\}$ so $C \in Args_2 \setminus \{A\}$. We now need to prove that C is strongly defended by $Args_2 \setminus \{A\}$. From the fact that $|Args_2 \setminus \{A\}| = i$ we can apply the induction hypothesis to obtain that if C is strongly defended by $Args_1 \setminus \{A\}$ (which it is) C is also strongly defended by $Args_2 \setminus \{A\}$.

□

Lemma 2. *Let $\mathcal{A}rgs \subseteq Ar$. Let $H^0 = \emptyset$ and $H^{i+1} = F(H^i) \cap \mathcal{A}rgs$ ($i \geq 0$). For each $i \geq 0$ it holds that*

- (1) $H^i \subseteq H^{i+1}$
- (2) H^i is strongly admissible
- (3) H^i strongly defends each of its arguments

Proof.

- (1) Proof by induction over i .

basis For $i = 0$ it holds that $H^i \subseteq H^{i+1}$ because $H^0 = \emptyset \subseteq H^1$.

step Suppose that for some $i \geq 0$ it holds that $H^i \subseteq H^{i+1}$. From the fact that F is a monotonic function, it follows that $F(H^i) \subseteq F(H^{i+1})$, from which it follows that $F(H^i) \cap \mathcal{A}rgs \subseteq F(H^{i+1}) \cap \mathcal{A}rgs$. That is, $H^{i+1} \subseteq H^{i+2}$.

- (2) Proof by induction over i .

basis For $i = 0$ it holds that $H^i = H^0 = \emptyset$ which is trivially strongly admissible.

step Suppose that for each $i \geq 0$ it holds that each H^j ($j \leq i$) is strongly admissible. We now prove that H^{i+1} is also strongly admissible. Let $A \in H^{i+1}$. That is, $A \in F(H^i) \cap \mathcal{A}rgs$. Let j be the smallest number such that $A \in H^j$ (this implies that $j \leq i + 1$ and $A \notin H^{j-1}$). The fact that $A \in H^j$ means that $A \in F(H^{j-1}) \cap \mathcal{A}rgs$, so A is defended by H^{j-1} . From point 1 above, it follows that $H^{j-1} \subseteq H^{i+1}$, which together with the fact that $A \notin H^{j-1}$ implies that $H^{j-1} \subseteq H^{i+1} \setminus \{A\}$. This, together with the fact that H^{j-1} is strongly admissible (induction hypothesis), means the conditions of Definition 8 (take H^{j-1} for $\mathcal{A}rgs'$) are satisfied.

- (3) Proof by induction over i .

basis For $i = 0$ it holds that $H^i = H^0 = \emptyset$ which trivially strongly defends each of its arguments.

step Suppose that for some $i \geq 0$ it holds that each H^j ($j \leq i$) strongly defends each of its arguments. We now prove that H^{i+1} also strongly defends each of its arguments. Let $A \in H^{i+1}$. Let j be the smallest number such that $A \in H^j$ (this implies that $j \leq i + 1$ and $A \notin H^{j-1}$). From $A \in H^j$ it follows that $A \in F(H^{j-1}) \cap \mathcal{A}rgs$, so each attacker B of A is attacked by some $C \in H^{j-1}$ such that C is strongly defended by H^{j-1} (induction hypothesis). From point 1 above, it follows that $H^{j-1} \subseteq H^{i+1}$, which together with $A \notin H^{j-1}$ implies that $H^{j-1} \subseteq H^{i+1} \setminus \{A\}$. So from the fact that each attacker B of A is attacked by some $C \in H^{j-1}$ such that C is strongly defended by H^{j-1} , it follows that each attacker B of A is attacked by some $C \in H^{i+1}$ (as $H^{j-1} \subseteq H^{i+1}$) such that C is strongly defended by $H^{i+1} \setminus \{A\}$ (Lemma 1, together with $H^{j-1} \subseteq H^{i+1} \setminus \{A\}$).

□

Theorem 1. *Let $\mathcal{A}rgs \subseteq Ar$ and let H^i ($i \geq 0$) be as in Lemma 2. $\mathcal{A}rgs$ is strongly admissible iff $\bigcup_{i=0}^{\infty} H^i = \mathcal{A}rgs$.*

Proof.

“ \Rightarrow ”:

Suppose $\mathcal{A}rgs$ is strongly admissible. We need to show that

(1) $\bigcup_{i=0}^{\infty} H^i \subseteq \mathcal{A}rgs$. This follows directly from the definition of H^0 and H^{i+1} .

(2) $\mathcal{A}rgs \subseteq \bigcup_{i=0}^{\infty} H^i$. Let $\mathcal{A}rgs_1 = \mathcal{A}rgs$. Suppose towards a contradiction that $\mathcal{A}rgs_1 \not\subseteq \bigcup_{i=0}^{\infty} H^i$.

This means there is an $A_1 \in \mathcal{A}rgs_1$ such that $A_1 \notin \bigcup_{i=0}^{\infty} H^i$. The fact that $\mathcal{A}rgs_1$ is strongly admissible implies that A_1 is defended by some $\mathcal{A}rgs_2 \subseteq \mathcal{A}rgs_1 \setminus \{A_1\}$ which in its turn is again strongly admissible. Can it be the case that $\mathcal{A}rgs_2 \subseteq \bigcup_{i=0}^{\infty} H^i$? If so, there must be an i such that $\mathcal{A}rgs_2 \subseteq H^i$. But as $\mathcal{A}rgs_2$ defends A_1 , it would follow that $A_1 \in F(H^i)$, which together with the fact that $A_1 \in \mathcal{A}rgs$ implies that $A_1 \in F(H^i) \cap \mathcal{A}rgs$, so $A_1 \in H^{i+1}$ so $A_1 \in \bigcup_{i=0}^{\infty} H^i$. Contradiction. So $\mathcal{A}rgs_2 \not\subseteq \bigcup_{i=0}^{\infty} H^i$.

This means there is an $A_2 \in \mathcal{A}rgs_2$ such that $A_2 \notin \bigcup_{i=0}^{\infty} H^i$. The fact that $\mathcal{A}rgs_2$ is strongly admissible implies that A_2 is defended by some $\mathcal{A}rgs_3 \subseteq \mathcal{A}rgs_2 \setminus \{A_2\}$ which in its turn is again strongly admissible. Can it be the case that $\mathcal{A}rgs_3 \subseteq \bigcup_{i=0}^{\infty} H^i$? If so, there must be an i such that $\mathcal{A}rgs_3 \subseteq H^i$. But as $\mathcal{A}rgs_3$ defends A_2 , it would follow that $A_2 \in F(H^i)$ which together with the fact that $A_2 \in \mathcal{A}rgs$ implies that $A_2 \in F(H^i) \cap \mathcal{A}rgs$, so $A_2 \in H^{i+1}$ so $A_2 \in \bigcup_{i=0}^{\infty} H^i$. Contradiction. So $\mathcal{A}rgs_3 \not\subseteq \bigcup_{i=0}^{\infty} H^i$.

Using similar reasoning as in the above two paragraphs, we observe that there exists a sequence $\mathcal{A}rgs_1, \mathcal{A}rgs_2, \dots, \mathcal{A}rgs_n$ and a sequence A_1, A_2, \dots, A_n where

(a) for each $j \in \{1 \dots n-1\}$ $\mathcal{A}rgs_{j+1} \subsetneq \mathcal{A}rgs_j$ (because $\mathcal{A}rgs_{j+1} \subseteq \mathcal{A}rgs_j \setminus \{A_j\}$)

(b) for each $j \in \{1 \dots n\}$ $\mathcal{A}rgs_j \not\subseteq \bigcup_{i=0}^{\infty} H^i$

(c) $\mathcal{A}rgs_1 = \mathcal{A}rgs$

(d) $\mathcal{A}rgs_n = \emptyset$ (because $\mathcal{A}rgs_1 = \mathcal{A}rgs$ is finite, and we lose at least one argument when going from $\mathcal{A}rgs_j$ to $\mathcal{A}rgs_{j+1}$ as shown in point 2a)

From 2b and 2d it follows that $\mathcal{A}rgs_n = \emptyset \not\subseteq \bigcup_{i=0}^{\infty} H^i$. Contradiction. Therefore $\mathcal{A}rgs \subseteq \bigcup_{i=0}^{\infty} H^i$.

“ \Leftarrow ”:

Suppose $\bigcup_{i=0}^{\infty} H^i = \mathcal{A}rgs$. Lemma 2 states that each H^i ($i \geq 0$) is strongly admissible. Therefore $\bigcup_{i=0}^{\infty} H^i$ is also strongly admissible. As $\bigcup_{i=0}^{\infty} H^i = \mathcal{A}rgs$ it directly follows that $\mathcal{A}rgs$ is strongly admissible. \square

Theorem 2. Let $\mathcal{A}rgs \subseteq \mathcal{A}r$ and let H^i ($i \geq 1$) be as in Lemma 2. $\mathcal{A}rgs$ strongly defends each of its arguments iff $\bigcup_{i=0}^{\infty} H^i = \mathcal{A}rgs$.

Proof.

“ \Rightarrow ”:

Suppose $\mathcal{A}rgs$ strongly defends each of its arguments. We need to show that

(1) $\bigcup_{i=0}^{\infty} H^i \subseteq \mathcal{A}rgs$. This follows directly from the definition of H^0 and H^{i+1} .

(2) $\mathcal{A}rgs \subseteq \bigcup_{i=0}^{\infty} H^i$. Suppose towards a contradiction that $\mathcal{A}rgs \not\subseteq \bigcup_{i=0}^{\infty} H^i$. This means there is an $A_1 \in \mathcal{A}rgs$ such that $A_1 \notin \bigcup_{i=0}^{\infty} H^i$. As $\mathcal{A}rgs$ strongly defends each of its arguments, $\mathcal{A}rgs$ strongly defends A_1 .

The fact that $\mathcal{A}rgs$ strongly defends A_1 means that each attacker B_1 of A_1 is attacked by some $A_2 \in \mathcal{A}rgs \setminus \{A_1\}$ such that A_2 is strongly defended by $\mathcal{A}rgs \setminus \{A_1\}$. If each such A_2 were an element of $\bigcup_{i=0}^{\infty} H^i$ (so of some H^j) then A_1 would be defended by H^j , so $A_1 \in H^{j+1}$, so $A_1 \in \bigcup_{i=0}^{\infty} H^i$. Therefore, $A_2 \notin \bigcup_{i=0}^{\infty} H^i$ for at least one $A_2 \in \mathcal{A}rgs \setminus \{A_1\}$.

The fact that $\mathcal{A}rgs \setminus \{A_1\}$ strongly defends A_2 means that each attacker B_2 of A_2 is attacked by some $A_3 \in \mathcal{A}rgs \setminus \{A_1, A_2\}$ such that A_3 is strongly defended by $\mathcal{A}rgs \setminus \{A_1, A_2\}$. If each such A_3

were an element of $\cup_{i=0}^{\infty} H^i$ (so of some H^j) then A_2 would be defended by H^j , so $A_2 \in H^{j+1}$, so $A_2 \in \cup_{i=0}^{\infty} H^i$. Therefore, $A_3 \notin \cup_{i=0}^{\infty} H^i$ for at least one $A_3 \in \mathcal{Args} \setminus \{A_1, A_2\}$.

Using similar reasoning as in the above two paragraphs, one can identify an infinite sequence of different arguments A_1, A_2, A_3, \dots such that for each A_i ($i \geq 1$) it holds that $A_i \in \mathcal{Args} \setminus \{A_1 \dots A_{i-1}\}$. However, since \mathcal{Args} contains only a finite number of arguments, this cannot be the case. Contradiction.

“ \Leftarrow ”:

Suppose that $\cup_{i=0}^{\infty} H^i = \mathcal{Args}$. Lemma 2 states that each H^i ($i \geq 0$) strongly defends each of its arguments. Therefore $\cup_{i=0}^{\infty} H^i$ strongly defends each of its arguments. As $\cup_{i=0}^{\infty} H^i = \mathcal{Args}$ it directly follows that \mathcal{Args} strongly defends each of its arguments. \square

Theorem 3. *Let (Ar, att) be an argumentation framework and $\mathcal{Args} \subseteq Ar$. \mathcal{Args} is a strongly admissible set (in the sense of Definition 8) iff each $A \in \mathcal{Args}$ is strongly defended by \mathcal{Args} (in the sense of Definition 7).*

Proof. This follows directly from Theorem 1 and Theorem 2. \square

Now that the equivalence between the two ways of defining strongly admissible sets has been proven, the next step is to examine some of the formal properties of strong admissibility. We start with conflict-freeness and admissibility.

Theorem 4. *Let (Ar, att) be an argumentation framework and let $\mathcal{Args} \subseteq Ar$ be a strongly admissible set. It holds that:*

- \mathcal{Args} is conflict-free
- \mathcal{Args} is admissible

Proof. Conflict-freeness follows from [7, Proposition 51], together with Theorem 3. Admissibility follows from conflict-freeness, together with the fact that every strongly admissible set defends each of its arguments. \square

Baroni and Giacomin prove that the grounded extension is the unique biggest (w.r.t. \subseteq) strongly admissible set [7].⁵ However, it can additionally be proved that the strongly admissible sets form a lattice, of which the grounded extension is the top element and the empty set is the bottom element. To do so, we need two lemmas.

Lemma 3. *If \mathcal{Args}_1 and \mathcal{Args}_2 are strongly admissible sets, then $\mathcal{Args}_1 \cup \mathcal{Args}_2$ is also a strongly admissible set.*

Proof. Let \mathcal{Args}_1 and \mathcal{Args}_2 be strongly admissible sets. Let $A \in \mathcal{Args}_1 \cup \mathcal{Args}_2$. If $A \in \mathcal{Args}_1$ then A is defended by some $\mathcal{Args}'_1 \subseteq \mathcal{Args}_1 \setminus \{A\}$ which in its turn is strongly admissible. If $A \in \mathcal{Args}_2$ then A is defended by some $\mathcal{Args}'_2 \subseteq \mathcal{Args}_2 \setminus \{A\}$ which in its turn is strongly admissible. In both cases, we

⁵Hence, each strongly admissible set is an admissible set that is contained in the grounded extension. The converse, however, does not hold. For instance, in Figure 1, $\{F\}$ is an admissible set that is contained in the grounded extension, but it is not a strongly admissible set.

have that A is defended by some $Args' \subseteq (Args_1 \cup Args_2) \setminus \{A\}$ which in its turn is strongly admissible. Therefore, $Args_1 \cup Args_2$ is a strongly admissible set in the sense of Definition 8. \square

Lemma 4. *Each admissible set has a unique biggest (w.r.t. \subseteq) strongly admissible subset.*

Proof. We first observe that each admissible set $Args$ has at least one strongly admissible subset: the empty set. As we consider only finite argumentation frameworks, this implies that there exists at least one maximal (w.r.t. \subseteq) strongly admissible subset of $Args$. We now proceed to show that this maximal strongly admissible subset is unique. Let $Args_1$ and $Args_2$ be maximal strongly admissible subsets of $Args$. Now consider $Args_1 \cup Args_2$. From Lemma 3 it follows that this is again a strongly admissible set. From the fact that $Args_1$ and $Args_2$ are *maximal* strongly admissible subsets, it follows that if $Args_1 \subseteq Args_1 \cup Args_2$ then $Args_1 = Args_1 \cup Args_2$, and that if $Args_2 \subseteq Args_1 \cup Args_2$ then $Args_2 = Args_1 \cup Args_2$, so we obtain that $Args_1 = Args_1 \cup Args_2$ and $Args_2 = Args_1 \cup Args_2$ so $Args_1 = Args_2$. \square

If $Args$ is an admissible set, we write $Args \Downarrow$ for its biggest (w.r.t. \subseteq) strongly admissible subset. It turns out that the strongly admissible sets of an argumentation framework form a lattice.⁶

Theorem 5. *Let (Ar, att) be an argumentation framework. The strongly admissible sets of this framework form a lattice (w.r.t. \subseteq).*

Proof. We need to prove that each two strongly admissible sets have a supremum (a least upper bound) and an infimum (a greatest lower bound).

supremum Let $Args_1$ and $Args_2$ be two strongly admissible sets. From Lemma 3 it follows that $Args_1 \cup Args_2$ is again a strongly admissible set. Since, by definition, $Args_1 \subseteq Args_1 \cup Args_2$ and $Args_2 \subseteq Args_1 \cup Args_2$, it follows that $Args_1 \cup Args_2$ is an upper bound. Moreover, it is also a *least* upper bound, since any proper subset of $Args_1 \cup Args_2$ will not be a superset of $Args_1$ and $Args_2$.

infimum Let $Args_1$ and $Args_2$ be two strongly admissible sets. Let $Args_3$ be $Args_1 \cap Args_2$. From the fact that $Args_3$ is conflict-free, it follows that it has a (unique) biggest admissible subset, which we will refer to as $Args'_3$. From Lemma 4 it follows that $Args'_3$ has a (unique) biggest strongly admissible subset, which we will refer to as $Args''_3$. We now prove that $Args''_3$ is an infimum of $Args_1$ and $Args_2$.

lower bound From the fact that $Args''_3 \subseteq Args'_3 \subseteq Args_3 = Args_1 \cap Args_2$ it follows that $Args''_3 \subseteq Args_1$ and $Args''_3 \subseteq Args_2$.

greatest lower bound Let $Args'''_3$ be a strongly admissible admissible set such that $Args'''_3 \subseteq Args_1$ and $Args'''_3 \subseteq Args_2$. Then, by definition, $Args'''_3 \subseteq Args_3$. Since $Args'''_3$ is admissible, it follows that $Args'''_3 \subseteq Args'_3$ (since $Args'_3$ is the *biggest* admissible subset of $Args_3$). Since $Args'''_3$ is a strongly admissible subset of $Args'_3$ it follows that $Args'''_3 \subseteq Args''_3$ (since $Args''_3$ is the *biggest* strongly admissible subset of $Args'_3$).

\square

⁶We recall that a *lattice* is a partial order such that each two elements have both a greatest lower bound and a least upper bound. For an ordering to be a *semi-lattice* only one of these two conditions needs to be met.

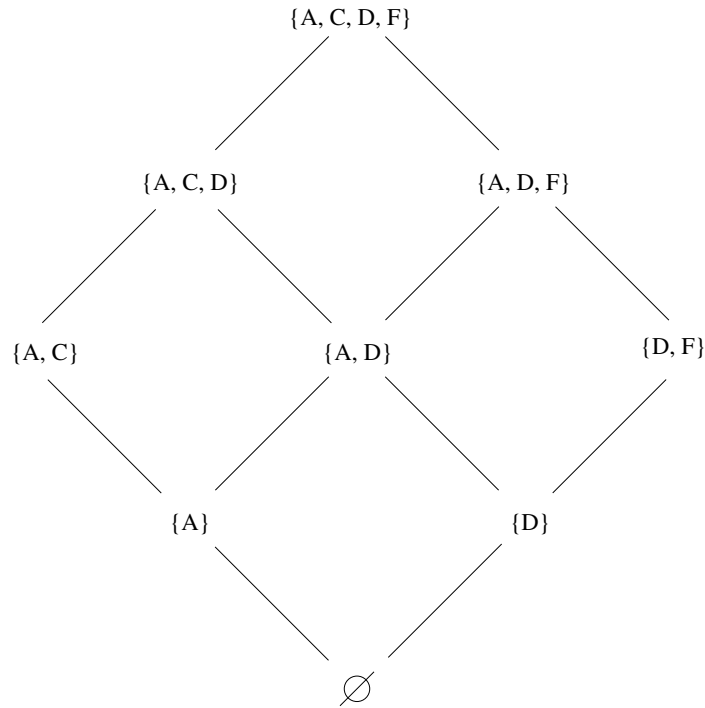


Fig. 2. The strongly admissible sets of the argumentation framework of Figure 1.

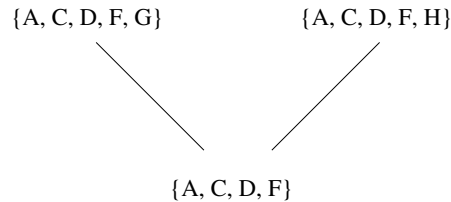


Fig. 3. The complete extensions of the argumentation framework of Figure 1.

In essence, if $Args_1$ and $Args_2$ are strongly admissible sets, then $Args_1 \cup Args_2$ is their supremum, and $(Args_1 \cap Args_2) \downarrow \downarrow$ is their infimum. By forming a lattice, with the empty set as its bottom element and the grounded extension as its top element, the strongly admissible sets differ from the admissible sets, which form a semi-lattice with the empty set as its bottom element, and the preferred extensions as its top elements [1]. It also distinguishes the strongly admissible sets from the complete extensions, which form a semi-lattice with the grounded extension as its bottom element and the preferred extensions as its top elements [1].

As an example, a Hasse diagram of the strongly admissible sets of the argumentation framework of Figure 1 is shown in Figure 2. Notice that (as specified by Theorem 5) the strongly admissible sets form a lattice with the empty set as its bottom element and the grounded extension as its top element. A Hasse diagram of the complete extensions of the argumentation framework of Figure 1 is shown in Figure 3. Notice that (as indicated in [1]) the complete extensions form a semi-lattice with the grounded extension as its bottom element and the preferred extensions as its top elements.

4. Strongly Admissible Labellings

Argument labellings [14, 15] have become a popular approach for purposes such as argumentation algorithms [8, 16, 17], argument-based judgment aggregation [13, 18] and issues of measuring distance of opinion [19]. In the current section, we develop a labelling account of strong admissibility, which will subsequently be used to analyse some of the existing discussion games for grounded semantics.

To define a strongly admissible labelling, we first have to introduce the concept of a min-max numbering.⁷

Definition 9. Let $\mathcal{L}ab$ be an admissible labelling of argumentation framework (Ar, att) . A min-max numbering is a total function $\mathcal{M}\mathcal{M}_{\mathcal{L}ab} : \text{in}(\mathcal{L}ab) \cup \text{out}(\mathcal{L}ab) \rightarrow \mathbb{N} \cup \{\infty\}$ such that for each $A \in \text{in}(\mathcal{L}ab) \cup \text{out}(\mathcal{L}ab)$ it holds that:

- if $\mathcal{L}ab(A) = \text{in}$ then $\mathcal{M}\mathcal{M}_{\mathcal{L}ab}(A) = \max(\{\mathcal{M}\mathcal{M}_{\mathcal{L}ab}(B) \mid B \text{ attacks } A \text{ and } \mathcal{L}ab(B) = \text{out}\}) + 1$ (with $\max(\emptyset)$ defined as 0)
- if $\mathcal{L}ab(A) = \text{out}$ then $\mathcal{M}\mathcal{M}_{\mathcal{L}ab}(A) = \min(\{\mathcal{M}\mathcal{M}_{\mathcal{L}ab}(B) \mid B \text{ attacks } A \text{ and } \mathcal{L}ab(B) = \text{in}\}) + 1$ (with $\min(\emptyset)$ defined as ∞)

To illustrate the concept of a min-max numbering, consider again the argumentation framework of Figure 1. Here, the admissible labelling $\mathcal{L}ab_1 = (\{A, C, F, G\}, \{B, E, H\}, \{D\})$ has min-max numbering $\{(A : 1), (B : 2), (C : 3), (E : 4), (F : 5), (G : \infty), (H : \infty)\}$, and the admissible labelling $\mathcal{L}ab_2 = (\{A, C, D, F\}, \{B, E\}, \{G, H\})$ has min-max numbering $\{(A : 1), (B : 2), (C : 3), (D : 1), (E : 2), (F : 3)\}$.

Theorem 6. Every admissible labelling has a unique min-max numbering.

Proof. Let $\mathcal{L}ab$ be an admissible labelling, and let $Args = \text{Lab2Args}(\mathcal{L}ab)$. Now consider the sequence H^0, H^1, H^2, \dots as defined in Lemma 2. For each $A \in \text{in}(\mathcal{L}ab)$ we define $\mathcal{M}\mathcal{M}_{\mathcal{L}ab}(A)$ as

$$\begin{cases} 2i - 1, & \text{where } i \text{ is the lowest number such that } A \in H^i \text{ if } \bigcup_{i=0}^{\infty} H^i \text{ contains } A \\ \infty & \text{if } \bigcup_{i=0}^{\infty} H^i \text{ does not contain } A \end{cases}$$

For each $A \in \text{out}(\mathcal{L}ab)$ we define $\mathcal{M}\mathcal{M}_{\mathcal{L}ab}(A)$ as

$$\begin{cases} 2i, & \text{where } i \text{ is the lowest number such that } H^i \text{ attacks } A \text{ if } \bigcup_{i=0}^{\infty} H^i \text{ attacks } A \\ \infty & \text{if } \bigcup_{i=0}^{\infty} H^i \text{ does not attack } A \end{cases}$$

We first prove that $\mathcal{M}\mathcal{M}_{\mathcal{L}ab}$ is a correct min-max numbering. For this, we need to prove the following two properties from Definition 9:

- if $\mathcal{L}ab(A) = \text{in}$ then $\mathcal{M}\mathcal{M}_{\mathcal{L}ab}(A) = \max(\{\mathcal{M}\mathcal{M}_{\mathcal{L}ab}(B) \mid B \text{ attacks } A \text{ and } \mathcal{L}ab(B) = \text{out}\}) + 1$
Let $A \in Ar$ such that $\mathcal{L}ab(A) = \text{in}$. We distinguish two cases:

⁷The intuition behind the min-max number of an argument is that of the game-theoretic length of the path (consisting of alternately in and out labelled arguments) from the argument back to an unattacked ancestor argument. The player selecting the in labelled arguments aims to make the path as short as possible whereas the player selecting the out labelled arguments aims to make the path as long as possible.

(1) $A \in \cup_{i=0}^{\infty} H^i$

In that case, $\mathcal{MM}_{\mathcal{L}ab}(A) = 2i - 1$, where i is the lowest number such that $A \in H^i$. We first observe that $i \geq 1$ (otherwise $A \notin H^i = H^0 = \emptyset$). In case $i = 1$ it holds that $A \in F(H^0) \cap \mathcal{A}rgs$, so A is defended by \emptyset so A does not have any attackers, so $\max(\mathcal{MM}_{\mathcal{L}ab}(B) \mid B \text{ attacks } A \text{ and } \mathcal{L}ab(B) = \text{out}) + 1 = 0 + 1 = 1$, which is indeed equal to $2i - 1$ for $i = 1$. In the remaining part of this proof we will therefore focus on the case where $i \geq 2$. In that case $A \in F(H^{i-1}) \cap \mathcal{A}rgs$ so A is defended by H^{i-1} , which means that each B that attacks A is attacked by some $C \in H^{i-1}$, so H^{i-1} attacks B . As B is labelled *out* (as $\mathcal{L}ab$ is an admissible labelling) from the fact that H^{i-1} attacks B it follows that each *out* labelled attacker of A has a min-max number of at most $2(i - 1)$. However, the fact that $A \notin H^{i-1}$ (as i is the *lowest* number such that $A \in H^i$) implies that there exists at least one *out* labelled attacker of A with min-max number of exactly $2(i - 1)$. Therefore $\max(\{\mathcal{MM}_{\mathcal{L}ab}(B) \mid B \text{ attacks } A \text{ and } \mathcal{L}ab(B) = \text{out}\}) + 1 = 2(i - 1) + 1 = 2i - 1$ so A is numbered correctly.

(2) $A \notin \cup_{i=0}^{\infty} H^i$

In that case, $\mathcal{MM}_{\mathcal{L}ab}(A) = \infty$. From the fact that $A \notin \cup_{i=0}^{\infty} H^i$ it follows that $A \notin H^i$ for any $i \geq 1$, which means that $A \notin F(H^{i-1}) \cap \mathcal{A}rgs$. As $A \in \mathcal{A}rgs$, it follows that $A \notin F(H^{i-1})$ for any $i \geq 1$. This means that there exists a B that attacks A and is not attacked by H^{i-1} (for any i). So B is not attacked by $\cup_{i=0}^{\infty} H^i$. It also holds that B is labelled *out*, as $\mathcal{L}ab$ is an admissible labelling. Hence, B is numbered ∞ . Therefore $\max(\{\mathcal{MM}_{\mathcal{L}ab}(B) \mid B \text{ attacks } A \text{ and } \mathcal{L}ab(B) = \text{out}\}) + 1 = \infty + 1 = \infty$ so A is numbered correctly.

- if $\mathcal{L}ab(A) = \text{out}$ then $\mathcal{MM}_{\mathcal{L}ab}(A) = \min(\{\mathcal{MM}_{\mathcal{L}ab}(A) \mid B \text{ attacks } A \text{ and } \mathcal{L}ab(B) = \text{in}\}) + 1$

Let $A \in \mathcal{A}r$ such that $\mathcal{L}ab(A) = \text{out}$. We distinguish two cases:

(1) $\cup_{i=0}^{\infty} H^i$ attacks A

In that case, $\mathcal{MM}_{\mathcal{L}ab}(A) = 2i$, where i is the lowest number such that H^i attacks A . We first observe that $i \geq 1$ (otherwise $i = 0$ so $H^i = H^0 = \emptyset$ which would not be able to attack A). The fact that H^i attacks A means that there is some $B \in H^i$ that attacks A such that $\mathcal{L}ab(B) = \text{in}$ (as $B \in \mathcal{A}rgs$ because $H^i = F(H^{i-1}) \cap \mathcal{A}rgs$). From this, it follows that the min-max number of B is at most $2i - 1$. The fact that H^{i-1} does not attack A (as i is the *lowest* number such that H^i attacks A) means there is no $B \in H^{i-1}$ that attacks A such that $\mathcal{L}ab(B) = \text{in}$. Therefore, it follows that no *in* labelled attacker of A can have a min-max number of $2(i - 1) - 1 = 2i - 3$ or lower, which together with the fact that the min-max number of any *in* labelled argument has to be odd means that any *in* labelled attacker of A has to be at least $2i - 1$. This implies that the min-max number of B is precisely $2i - 1$. We have therefore obtained that there is at least one *in* labelled attacker of A that is numbered $2i - 1$, and that every *in* labelled attacker of A is numbered at least $2i - 1$. Therefore, $\mathcal{MM}_{\mathcal{L}ab}(A) = \min(\{\mathcal{MM}_{\mathcal{L}ab}(A) \mid B \text{ attacks } A \text{ and } \mathcal{L}ab(B) = \text{in}\}) + 1 = (2i - 1) + 1 = 2i$ so A is numbered correctly.

(2) $\cup_{i=0}^{\infty} H^i$ does not attack A

In that case, $\mathcal{MM}_{\mathcal{L}ab}(A) = \infty$. From the fact that $\cup_{i=0}^{\infty} H^i$ does not attack A it follows that for each attacker B of A it holds that $B \notin \cup_{i=0}^{\infty} H^i$. This implies that each *in* labelled attacker B of A has a min-max number of ∞ . Also, A has at least one such *in* labelled attacker (as $\mathcal{L}ab$ is an admissible labelling). Therefore $\mathcal{MM}_{\mathcal{L}ab}(A) = \min(\{\mathcal{MM}_{\mathcal{L}ab}(A) \mid B \text{ attacks } A \text{ and } \mathcal{L}ab(B) = \text{in}\}) + 1 = \infty$ so A is numbered correctly.

Now that we have proved that each admissible labelling has a min-max numbering, the next thing to prove is that this min-max numbering is unique. Let $\mathcal{MM}_{\mathcal{L}ab}^1$ and $\mathcal{MM}_{\mathcal{L}ab}^2$ be two min-max numberings

of the same admissible labelling $\mathcal{L}ab$. We now prove, by strong induction over $i \geq 1$, that for each $A \in Ar$, $\mathcal{M}\mathcal{M}_{\mathcal{L}ab}^1(A) = i$ iff $\mathcal{M}\mathcal{M}_{\mathcal{L}ab}^2(A) = i$.

basis $i = 1$

“ \Rightarrow ”: Let $\mathcal{M}\mathcal{M}_{\mathcal{L}ab}^1(A) = 1$. This can only be the case if A is labelled `in` and does not have any attackers. This means that $\mathcal{M}\mathcal{M}_{\mathcal{L}ab}^2(A)$ is also 1.

“ \Leftarrow ”: Similar to “ \Rightarrow ”.

step Suppose that for each $j \in \{1 \dots i\}$ it holds that $\mathcal{M}\mathcal{M}_{\mathcal{L}ab}^1(A) = j$ iff $\mathcal{M}\mathcal{M}_{\mathcal{L}ab}^2(A) = j$.

“ \Rightarrow ”: Let $\mathcal{M}\mathcal{M}_{\mathcal{L}ab}^1(A) = i + 1$. We distinguish two cases:

(1) $\mathcal{L}ab(A) = \text{in}$. In that case, $i + 1 = \mathcal{M}\mathcal{M}_{\mathcal{L}ab}^1(A) = \max(\{\mathcal{M}\mathcal{M}_{\mathcal{L}ab}^1(B) \mid B \text{ attacks } A \text{ and } \mathcal{L}ab(B) = \text{out}\}) + 1$ so $i = \max(\{\mathcal{M}\mathcal{M}_{\mathcal{L}ab}^1(B) \mid B \text{ attacks } A \text{ and } \mathcal{L}ab(B) = \text{out}\})$. This implies that for each `out` labelled attacker B of A , it holds that $\mathcal{M}\mathcal{M}_{\mathcal{L}ab}^1(B)$ is at most i . Hence, we can apply the induction hypothesis and infer that $\mathcal{M}\mathcal{M}_{\mathcal{L}ab}^2(B) = \mathcal{M}\mathcal{M}_{\mathcal{L}ab}^1(B)$. Therefore, $\mathcal{M}\mathcal{M}_{\mathcal{L}ab}^2(A) = \max\{\mathcal{M}\mathcal{M}_{\mathcal{L}ab}^2(B) \mid B \text{ attacks } A \text{ and } \mathcal{L}ab(B) = \text{out}\} + 1 = \max\{\mathcal{M}\mathcal{M}_{\mathcal{L}ab}^1(B) \mid B \text{ attacks } A \text{ and } \mathcal{L}ab(B) = \text{out}\} + 1 = i + 1$.

(2) $\mathcal{L}ab(A) = \text{out}$. In that case $i + 1 = \mathcal{M}\mathcal{M}_{\mathcal{L}ab}^1(A) = \min(\{\mathcal{M}\mathcal{M}_{\mathcal{L}ab}^1(B) \mid B \text{ attacks } A \text{ and } \mathcal{L}ab(B) = \text{in}\}) + 1$ so $i = \min(\{\mathcal{M}\mathcal{M}_{\mathcal{L}ab}^1(B) \mid B \text{ attacks } A \text{ and } \mathcal{L}ab(B) = \text{in}\})$. This means there is at least one `in` labelled B that attacks A such that $\mathcal{M}\mathcal{M}_{\mathcal{L}ab}^1(B) = i$. From the induction hypothesis we infer that $\mathcal{M}\mathcal{M}_{\mathcal{L}ab}^2(B) = i$. Furthermore, for each $j < i$ the induction hypothesis tells us that $\mathcal{M}\mathcal{M}_{\mathcal{L}ab}^1(C) = j$ iff $\mathcal{M}\mathcal{M}_{\mathcal{L}ab}^2(C) = j$. Therefore, from the fact that no `in` labelled attacker of A is numbered less than i by $\mathcal{M}\mathcal{M}_{\mathcal{L}ab}^1$ it follows that also no `in` labelled attacker of A is numbered less than i by $\mathcal{M}\mathcal{M}_{\mathcal{L}ab}^2$. Therefore, $\mathcal{M}\mathcal{M}_{\mathcal{L}ab}^2(A) = \min(\{\mathcal{M}\mathcal{M}_{\mathcal{L}ab}^2(B) \mid B \text{ attacks } A \text{ and } \mathcal{L}ab(B) = \text{in}\}) + 1 = \min(\{\mathcal{M}\mathcal{M}_{\mathcal{L}ab}^1(B) \mid B \text{ attacks } A \text{ and } \mathcal{L}ab(B) = \text{in}\}) + 1 = i + 1$.

“ \Leftarrow ”: Similar to “ \Rightarrow ”.

From the thus proved fact that for each $1 \geq 1$, $\mathcal{M}\mathcal{M}_{\mathcal{L}ab}^1(A) = i$ iff $\mathcal{M}\mathcal{M}_{\mathcal{L}ab}^2(A) = i$, together with the fact that each min-max number has to be in $(\mathbb{N} \setminus \{0\}) \cup \{\infty\}$ it follows that also $\mathcal{M}\mathcal{M}_{\mathcal{L}ab}^1(A) = \infty$ iff $\mathcal{M}\mathcal{M}_{\mathcal{L}ab}^2(A) = \infty$. Hence, we have that for each $A \in Ar$, $\mathcal{M}\mathcal{M}_{\mathcal{L}ab}^1(A) = \mathcal{M}\mathcal{M}_{\mathcal{L}ab}^2(A)$, so $\mathcal{M}\mathcal{M}_{\mathcal{L}ab}^1 = \mathcal{M}\mathcal{M}_{\mathcal{L}ab}^2$. \square

Using the concept of a min-max numbering, we can proceed to define the concept of a strongly admissible labelling.

Definition 10. A strongly admissible labelling is an admissible labelling whose min-max numbering yields natural numbers only (so no argument is numbered ∞).

From Definition 10 it directly follows that every strongly admissible labelling is also an admissible labelling. Also, there exists a clear connection between strongly admissible labellings and strongly admissible sets, as one can be converted into the other.

Theorem 7. Let (Ar, att) be an argumentation framework.

- for every strongly admissible set $Args \subseteq Ar$, it holds that $Args2Lab(Args)$ is a strongly admissible labelling

- for every strongly admissible labelling $\mathcal{L}ab$, it holds that $\text{Lab2Args}(\mathcal{L}ab)$ is a strongly admissible set

Proof.

- Let $\mathcal{A}rgs$ be a strongly admissible set. This means that $\bigcup_{i=0}^{\infty} H^i = \mathcal{A}rgs$. The procedure specified in the proof of Theorem 6 makes sure that every argument in H^i ($i \geq 0$) is numbered with a natural number (note: each such argument is labelled *in*). As $\bigcup_{i=0}^{\infty} H^i = \mathcal{A}rgs$ it follows that each argument in $\mathcal{A}rgs$ (that is, each *in* labelled argument) is numbered with a natural number. It then follows (from Definition 9) that also each *out* labelled argument is numbered with a natural number. This means that no argument is numbered ∞ , thus satisfying the condition of Definition 10.
- Let $\mathcal{L}ab$ be a strongly admissible labelling. This means that each *in* or *out* labelled argument is numbered with a natural number. As the min-max number of $\mathcal{L}ab$ can be constructed using the procedure explained in the proof of Theorem 6, the fact that each *in* labelled argument A is assigned a natural number means that for each $A \in \mathcal{A}rgs$ there is an i such that $A \in H^i$. This means that $\mathcal{A}rgs \subseteq \bigcup_{i=0}^{\infty} H^i$. This, together with the fact that $H^i \subseteq \mathcal{A}rgs$ for each $i \geq 0$, implies that $\mathcal{A}rgs = \bigcup_{i=0}^{\infty} H^i$ which means that $\mathcal{A}rgs$ is a strongly admissible set.

□

Please notice that strongly admissible labellings and strongly admissible sets are not one-to-one related; instead, they are many-to-one related. As an example, in the argumentation framework of Figure 1 the strongly admissible set $\{A, C\}$ is related to two strongly admissible labellings: $(\{A, C\}, \{B, E\}, \{D, F, G, H\})$ and $(\{A, C\}, \{B\}, \{D, E, F, G, H\})$.

The fact that strongly admissible sets and strongly admissible labellings are not one-to-one related unfortunately means that some of the results for strongly admissible sets (for instance Theorem 5) do not automatically carry over to strongly admissible labellings. Instead, they need to be proved separately.

Lemma 5. *If $\mathcal{L}ab_1$ and $\mathcal{L}ab_2$ are strongly admissible labellings, then $\mathcal{L}ab_1 \sqcup \mathcal{L}ab_2$ is also a strongly admissible labelling.*

Proof. Let $\mathcal{A}rgs_1 = \text{Lab2Args}(\mathcal{L}ab_1)$ and $\mathcal{A}rgs_2 = \text{Lab2Args}(\mathcal{L}ab_2)$. From Theorem 7 it then follows that $\mathcal{A}rgs_1$ and $\mathcal{A}rgs_2$ are strongly admissible sets, hence (Lemma 3) $\mathcal{A}rgs_1 \cup \mathcal{A}rgs_2$ is also a strongly admissible set. Let $\mathcal{L}ab_3 = \text{Args2Lab}(\mathcal{A}rgs_1 \cup \mathcal{A}rgs_2)$. From Theorem 7 it follows that $\mathcal{L}ab_3$ is a strongly admissible labelling. Let $\mathcal{M}\mathcal{M}_{\mathcal{L}ab_3}$ be the min-max numbering of this strongly admissible labelling. How does $\mathcal{L}ab_3$ compare with $\mathcal{L}ab'_3 = \mathcal{L}ab_1 \sqcup \mathcal{L}ab_2$? We start with making the following three observations.

- $\mathcal{L}ab_3$ is an admissible labelling.
This is because $\mathcal{L}ab_3$ is a strongly admissible labelling.
- $\mathcal{L}ab'_3$ is an admissible labelling.
From the fact that $\mathcal{A}rgs_1 \cup \mathcal{A}rgs_2$ is a strongly admissible set, it follows that $\mathcal{A}rgs_1 \cup \mathcal{A}rgs_2$ is conflict-free, so $\mathcal{A}rgs_1$ and $\mathcal{A}rgs_2$ do not attack each other. This implies that $\text{in}(\mathcal{L}ab_1) \cap \text{out}(\mathcal{L}ab_2) = \emptyset$ and $\text{in}(\mathcal{L}ab_2) \cap \text{out}(\mathcal{L}ab_1) = \emptyset$, which means that $\mathcal{L}ab_1 \sqcup \mathcal{L}ab_2 = (\text{in}(\mathcal{L}ab_1) \cup \text{in}(\mathcal{L}ab_2), \text{out}(\mathcal{L}ab_1) \cup \text{out}(\mathcal{L}ab_2), \text{undec}(\mathcal{L}ab_1) \cap \text{undec}(\mathcal{L}ab_2))$. That is, we obtain that $\text{in}(\mathcal{L}ab'_3) = \text{in}(\mathcal{L}ab_1) \cup \text{in}(\mathcal{L}ab_2)$ and that $\text{out}(\mathcal{L}ab'_3) = \text{out}(\mathcal{L}ab_1) \cup \text{out}(\mathcal{L}ab_2)$. Hence, each argument that is labelled *in* by $\mathcal{L}ab'_3$ has all its attackers labelled *out* by $\mathcal{L}ab'_3$ (this follows

from the fact that $\mathcal{L}ab_1$ and $\mathcal{L}ab_2$ are admissible labellings) and each argument that is labelled out by $\mathcal{L}ab'_3$ has an attacker that is labelled in by $\mathcal{L}ab'_3$ (which again follows from the fact that $\mathcal{L}ab_1$ and $\mathcal{L}ab_2$ are admissible labellings). This means that $\mathcal{L}ab'_3$ is an admissible labelling.

- $\text{in}(\mathcal{L}ab_3) = \text{in}(\mathcal{L}ab'_3)$.

In the previous point, it was observed that $\text{in}(\mathcal{L}ab'_3) = \text{in}(\mathcal{L}ab_1) \cup \text{in}(\mathcal{L}ab_2)$. As we have that $\text{in}(\mathcal{L}ab_1) = \text{Args}_1$ (as $\text{Args}_1 = \text{Lab2Args}(\mathcal{L}ab_1)$) and $\text{in}(\mathcal{L}ab_2) = \text{Args}_2$ (as $\text{Args}_2 = \text{Lab2Args}(\mathcal{L}ab_2)$) it holds that $\text{in}(\mathcal{L}ab'_3) = \text{Args}_1 \cup \text{Args}_2$ (as $\text{in}(\mathcal{L}ab'_3) = \text{in}(\mathcal{L}ab_1) \cup \text{in}(\mathcal{L}ab_2)$ as observed in the previous point). As $\text{in}(\mathcal{L}ab_3) = \text{Args}_1 \cup \text{Args}_2$ (as $\mathcal{L}ab_3 = \text{Args2Lab}(\text{Args}_1 \cup \text{Args}_2)$) we obtain that $\text{in}(\mathcal{L}ab_3) = \text{in}(\mathcal{L}ab'_3)$.

We define the min-max numbering $\mathcal{M}\mathcal{M}_{\mathcal{L}ab'_3}$ of $\mathcal{L}ab'_3$ such that $\mathcal{M}\mathcal{M}_{\mathcal{L}ab'_3}(A) = \mathcal{M}\mathcal{M}_{\mathcal{L}ab_3}(A)$ for each $A \in \text{in}(\mathcal{L}ab'_3) \cup \text{out}(\mathcal{L}ab'_3)$. We now prove that $\mathcal{M}\mathcal{M}_{\mathcal{L}ab'_3}$ is a correct min-max numbering. For this, we need to show two things:

- if $\mathcal{L}ab'_3(A) = \text{in}$ then $\mathcal{M}\mathcal{M}_{\mathcal{L}ab'_3}(A) = \max(\{\mathcal{M}\mathcal{M}_{\mathcal{L}ab'_3}(B) \mid B \text{ attacks } A \text{ and } \mathcal{L}ab'_3(B) = \text{out}\}) + 1$

As $\mathcal{L}ab'_3$ and $\mathcal{L}ab_3$ are both admissible labellings, it holds that all attackers of an in labelled argument are labelled out. This implies that argument A , which is labelled in by $\mathcal{L}ab'_3$ and is therefore also labelled in by $\mathcal{L}ab_3$ (as $\text{in}(\mathcal{L}ab_3) = \text{in}(\mathcal{L}ab'_3)$) has the same out labelled attackers in both $\mathcal{L}ab'_3$ and $\mathcal{L}ab_3$. As the out labelled attackers of A are numbered the same by $\mathcal{M}\mathcal{M}_{\mathcal{L}ab'_3}$ as by $\mathcal{M}\mathcal{M}_{\mathcal{L}ab_3}$ we have that $\{\mathcal{M}\mathcal{M}_{\mathcal{L}ab'_3}(B) \mid B \text{ attacks } A \text{ and } \mathcal{L}ab'_3(B) = \text{out}\} = \{\mathcal{M}\mathcal{M}_{\mathcal{L}ab_3}(B) \mid B \text{ attacks } A \text{ and } \mathcal{L}ab_3(B) = \text{out}\}$. This, together with the fact that $\mathcal{M}\mathcal{M}_{\mathcal{L}ab_3}(A) = \max(\{\mathcal{M}\mathcal{M}_{\mathcal{L}ab_3}(B) \mid B \text{ attacks } A \text{ and } \mathcal{L}ab_3(B) = \text{out}\}) + 1$ (as $\mathcal{M}\mathcal{M}_{\mathcal{L}ab_3}$ is a correct min-max numbering) and the fact that $\mathcal{M}\mathcal{M}_{\mathcal{L}ab'_3}(A) = \mathcal{M}\mathcal{M}_{\mathcal{L}ab_3}(A)$ implies that $\mathcal{M}\mathcal{M}_{\mathcal{L}ab'_3}(A) = \max(\{\mathcal{M}\mathcal{M}_{\mathcal{L}ab'_3}(B) \mid B \text{ attacks } A \text{ and } \mathcal{L}ab'_3(B) = \text{out}\}) + 1$.

- if $\mathcal{L}ab'_3(A) = \text{out}$ then $\mathcal{M}\mathcal{M}_{\mathcal{L}ab'_3}(A) = \min(\{\mathcal{M}\mathcal{M}_{\mathcal{L}ab'_3}(B) \mid B \text{ attacks } A \text{ and } \mathcal{L}ab'_3(B) = \text{in}\}) + 1$

As $\text{in}(\mathcal{L}ab_3) = \text{in}(\mathcal{L}ab'_3)$ it holds that the out labelled argument A has the same in labelled attackers in both $\mathcal{L}ab_3$ and $\mathcal{L}ab'_3$. As the in labelled attackers of A are numbered the same by $\mathcal{M}\mathcal{M}_{\mathcal{L}ab'_3}$ as by $\mathcal{M}\mathcal{M}_{\mathcal{L}ab_3}$ we have that $\{\mathcal{M}\mathcal{M}_{\mathcal{L}ab'_3}(B) \mid B \text{ attacks } A \text{ and } \mathcal{L}ab'_3(B) = \text{in}\} = \{\mathcal{M}\mathcal{M}_{\mathcal{L}ab_3}(B) \mid B \text{ attacks } A \text{ and } \mathcal{L}ab_3(B) = \text{in}\}$. This, together with the fact that $\mathcal{M}\mathcal{M}_{\mathcal{L}ab_3}(A) = \min(\{\mathcal{M}\mathcal{M}_{\mathcal{L}ab_3}(B) \mid B \text{ attacks } A \text{ and } \mathcal{L}ab_3(B) = \text{in}\}) + 1$ (as $\mathcal{M}\mathcal{M}_{\mathcal{L}ab_3}$ is a correct min-max numbering) and the fact that $\mathcal{M}\mathcal{M}_{\mathcal{L}ab'_3}(A) = \mathcal{M}\mathcal{M}_{\mathcal{L}ab_3}(A)$ implies that $\mathcal{M}\mathcal{M}_{\mathcal{L}ab'_3}(A) = \min(\{\mathcal{M}\mathcal{M}_{\mathcal{L}ab'_3}(B) \mid B \text{ attacks } A \text{ and } \mathcal{L}ab'_3(B) = \text{in}\}) + 1$.

Hence, we have established that $\mathcal{M}\mathcal{M}_{\mathcal{L}ab'_3}$ is a correct min-max numbering of $\mathcal{L}ab'_3$, one that numbers each argument that is labelled in or out by $\mathcal{L}ab'_3$ the same as $\mathcal{M}\mathcal{M}_{\mathcal{L}ab_3}$. As $\mathcal{M}\mathcal{M}_{\mathcal{L}ab_3}$ does not number any argument with ∞ (as $\mathcal{L}ab_3$ is a strongly admissible labelling) it follows that $\mathcal{M}\mathcal{M}_{\mathcal{L}ab'_3}$ also does not number any argument with ∞ . Hence, $\mathcal{L}ab'_3$ is a strongly admissible labelling. \square

Lemma 6. *Each admissible labelling $\mathcal{L}ab$ has a unique biggest (w.r.t. \sqsubseteq) strongly admissible sublabelling.*

Proof. Similar to the proof of Lemma 4, but with Args , Args_1 and Args_2 replaced by $\mathcal{L}ab$, $\mathcal{L}ab_1$ and $\mathcal{L}ab_2$, with \sqsubseteq and \cap replaced by \sqsubseteq and \cap and Lemma 3 replaced by Lemma 5. \square

If $\mathcal{L}ab$ is an admissible labelling, then we write $\mathcal{L}ab \Downarrow$ for its biggest (w.r.t. \sqsubseteq) strongly admissible sublabelling.

Theorem 8. *Let (Ar, att) be an argumentation framework. The strongly admissible labellings of this framework form a lattice (w.r.t. \sqsubseteq).*

Proof. Similar to the proof of Theorem 5, with $Args_1, Args_2, Args_3, Args'_3, Args''_3$ and $Args'''_3$ replaced by $\mathcal{L}ab_1, \mathcal{L}ab_2, \mathcal{L}ab_3, \mathcal{L}ab'_3, \mathcal{L}ab''_3$ and $\mathcal{L}ab'''_3$, \subseteq, \cup and \cap replaced by \sqsubseteq, \sqcup and \sqcap , and Lemma 4 replaced by Lemma 6. \subseteq replaced by \sqsubseteq, \cup replaced by \sqcup and \cap replaced by \sqcap . \square

5. Computational Complexity

Regarding the issue of computational complexity, one can distinguish the standard decision problems of credulous acceptance, sceptical acceptance and verification.

The formal statement of these decision problems (which are defined for any extension based argumentation semantics σ) is presented in Table 1. In this, we use σ to describe an arbitrary semantics, e.g. any of the cases given in Definition 3, although our principal interest will be the case of σ being the class of strongly-admissible sets; \mathcal{E}_σ for the set of all subsets of arguments within a framework that satisfy the criteria given by σ , e.g. $\mathcal{E}_{adm}(\langle Ar, att \rangle)$ is the set of all admissible sets in the framework $\langle Ar, att \rangle$.

Table 1
Decision Problems in Argumentation Semantics

Problem	Instance	Question	Formal statement
CA	$\langle Ar, att \rangle, x \in Ar$	Is x credulously accepted?	$\exists S \subseteq Ar : x \in S \text{ and } S \in \mathcal{E}_\sigma(\langle Ar, att \rangle)$?
SA	$\langle Ar, att \rangle, x \in Ar$	Is x sceptically accepted?	$\forall S \subseteq Ar : S \in \mathcal{E}_\sigma(\langle Ar, att \rangle) \Rightarrow x \in S$?
VER	$\langle Ar, att \rangle S \subseteq Ar$	Does S satisfy the criteria of σ ?	$S \in \mathcal{E}_\sigma(\langle Ar, att \rangle)$?

The credulous acceptance problem for strong admissibility reduces to deciding if the given argument, x , is in the grounded extension, as the grounded extension is the (unique) biggest (w.r.t. \subseteq) strongly admissible set [7]. Hence, the credulous acceptance problem of strong admissibility is of polynomial complexity.

As for sceptical acceptance, the issue is to determine whether a particular argument is in every strongly admissible set. However, as the empty set is always strongly admissible, this decision problem is trivial as the answer is always negative.

The verification problem is more interesting in that it is not simply a matter of testing if S is a subset of the grounded extension, i.e. although S being such a subset is a necessary condition for strong-admissibility it is not a sufficient condition. In determining if a set S is strongly admissible one could use Algorithm 1, as shown on page 16.

The correctness of Algorithm 1 follows from Theorem 1 and Lemma 2. To see this, notice that the algorithm accumulates a subset of Ar (in $Args^i$) stopping when there is no change to the existing subset (i.e. that forming $Args^{i-1}$) and using the final set to compare with the candidate subset $Args$. The set(s) Arg^i are formed by the adding the intersection of the characteristic function of H^i with the set, $Args$, being tested. This set, H^i starts ($i = 0$) from the empty set. Overall the process of computing successive subsets H^i and the concomitant changes to $Args^i$ mimics exactly the stages applied in the proof of Theorem 1 using the result of Lemma 2 as support.

Algorithm 1 Verification of $\mathcal{A}rgs$ as a strongly admissible set

```

1: Input: argumentation framework  $(Ar, att)$  and  $\mathcal{A}rgs \subseteq Ar$ .
2: Output: true if  $\mathcal{A}rgs$  is strongly admissible; false otherwise.
3:  $H^0 = \emptyset$ ;  $\mathcal{A}rgs^0 = H^0$ ;  $i = 0$ ;
4: repeat
5:    $H^{i+1} = F(H^i) \cap \mathcal{A}rgs$ ; /* with  $F$  being the characteristic function */
6:    $\mathcal{A}rgs^{i+1} = \mathcal{A}rgs^i \cup H^{i+1}$ ;
7:    $i++$ ;
8: until  $\mathcal{A}rgs^i = \mathcal{A}rgs^{i-1}$ 
9: if  $\mathcal{A}rgs = \mathcal{A}rgs^i$  then return true else return false

```

As we only consider finite argumentation frameworks, the algorithm is guaranteed to terminate.

The maximal number of loop iterations is of the order $|Ar|$ because at each iteration there will be at least one argument added (this must be the case for otherwise we would have $\mathcal{A}rgs^i = \mathcal{A}rgs^{i-1}$ resulting in the loop terminating at line 8) until the loop terminates. As for the set operations of union and intersection, it holds that $S_1 \cup S_2$ and $S_1 \cap S_2$ each require the order of $|S_1| + |S_2|$ operations, provided that appropriate data structures are being used. For the above algorithm, this would be $|F(H^i)| + |\mathcal{A}rgs| + |\mathcal{A}rgs^i| + |H^{i+1}|$, so no more than $4 \cdot |Ar|$ for each loop iteration. As there are no more than $|Ar|$ loop iterations, this implies the maximal number of steps for doing the set operations is in the order of $|Ar| \cdot |Ar|$.

As for determining the number of operations of the F -operator, the easiest way to do this is to consider the total number of operations, throughout all loop iterations. Calculating $F(S)$ can be done basically by removing the arguments of S^+ from the argumentation framework (together with the attacks from and to S^+) and then examining which arguments have no attackers (this is one standard approach used in computing the grounded extension). Point 1 of Lemma 2 implies that this can be done in an iterative way when it comes to calculating each H^{i+1} . As no more than $|att|$ edges can be removed from the graph, there can be at most $|att|$ edges relevant to any H^i . Note that the maximum number of attacks that could be present in any framework satisfies $|att| \leq |Ar| \cdot |Ar|$, so it holds that the number of operations is at most $|Ar| \cdot |Ar|$ for computing the outcome of the characteristic functions. This, together with the number of operations required for computing the union and intersection (which is also $|Ar| \cdot |Ar|$) means the total number of required operations is in the order of $|Ar| \cdot |Ar|$, so of polynomial complexity.

As an aside, please notice that in order to simplify the above discussion, we have formulated Algorithm 1 in a way that is closely aligned to Lemma 2 and Theorem 1. However, it can be observed that for every i it holds that $\mathcal{A}rgs^i = H^i$ (this is because of point 1 of Lemma 2). Hence, it would be possible to do away with $\mathcal{A}rgs^i$ in the above algorithm, and only use H^i instead. We observe that this does not affect the overall complexity of the algorithm, which remains in the order of $|Ar| \cdot |Ar|$.

6. Strong Admissibility and Argument Games

Now that some of the formal properties of strong admissibility have been examined, the next step is to study some of its applications. In particular, it turns out that strong admissibility is one of the corner stones of the discussion games for grounded semantics.

6.1. The Standard Grounded Game

As far as we are know, the Standard Grounded Game [8, 9, 20] was the first dialectical proof procedure to determine whether a particular argument is in the grounded extension.

Definition 11. A discussion in the Standard Grounded Game is a finite sequence $[A_1, \dots, A_n]$ ($n \geq 1$) of arguments (sometimes called moves), of which the odd moves are called *P-moves* (Proponent moves) and the even moves are called *O-moves* (Opponent moves), such that:

- (1) every *O-move* is an attacker of the preceding *P-move* (that is, every A_i where i is even and $2 \leq i \leq n$ attacks A_{i-1})
- (2) every *P-move* except the first one is an attacker of the preceding *O-move* (that is, every A_i where i is odd and $3 \leq i \leq n$ attacks A_{i-1})
- (3) *P-moves* are not repeated (that is, for every odd $i, j \in \{1, \dots, n\}$ it holds that if $i \neq j$ then $A_i \neq A_j$)

A discussion is called *terminated* iff there is no A_{n+1} such that $[A_1, \dots, A_n, A_{n+1}]$ is a discussion. A terminated discussion is said to be won by the player making the last move.

An *argument tree* is a tree of which each node (n) is labelled with an argument ($\text{Arg}(n)$). The *level* of a node is the number of nodes in the path to the root.

Definition 12. A winning strategy of the Standard Grounded Game for argument A is an argument tree, where the root is labelled with A , such that

- (1) for each path from the root (n_{root}) to a leaf node (n_{leaf}) it holds that the arguments on this path form a terminated discussion won by P
- (2) for each node at odd level n_P it holds that $\{\text{Arg}(n_{child}) \mid n_{child} \text{ is a child of } n_P\} = \{B \mid B \text{ attacks } \text{Arg}(n_P)\}$ and the number of children of n_P is equal to the number of attackers of $\text{Arg}(n_P)$
- (3) each node of even level n_O has precisely one child n_{child} , and $\text{Arg}(n_{child})$ attacks $\text{Arg}(n_O)$

The soundness and completeness of the Standard Grounded Game depends on the presence of a winning strategy. That is, an argument A is in the grounded extension iff there exists a winning strategy for A . Interesting enough, it turns out that such a winning strategy defines a strongly admissible set containing A .

Theorem 9. The set of all proponent moves in a winning strategy of the Standard Grounded Game is strongly admissible.

Proof. We prove this by induction over the depth (i) of the winning strategy game tree.

basis $i = 0$. In that case, the winning strategy consists of a single argument (say, A). This means that A has no attackers. Hence, $\{A\}$ is a strongly admissible set.

step Suppose that every winning strategy of depth less or equal than i has its proponent moves constituting a strongly admissible set. We need to prove that also every winning strategy of depth $i + 2$ has its proponent moves constituting a strongly admissible set. Let WS be a winning strategy of depth $i + 2$. Let A be the argument at the root of the tree. Let WS'_1, \dots, WS'_n be the subtrees whose roots are at distance 2 of the root of WS . The induction hypothesis states that for each of these subtrees (WS'_j), their set of proponent moves Args'_j constitutes a strongly admissible set. Therefore (by

Lemma 3) the set $Args' = \cup_{j=1}^n Args'_j$ is strongly admissible. Also, $A \notin Args'$ (this is because the proponent is not allowed to repeat his moves). Let B be an arbitrary argument in $Args$ (the set of all proponent moves in the winning strategy). We distinguish two cases:

- (1) $B \in Args'$. Then, since $Args'$ is a strongly admissible set, there exists an $Args'' \subseteq Args' \setminus \{B\}$ that defends B and is itself strongly admissible. Since $Args' \subseteq Args$, it also holds that $Args'' \subseteq Args \setminus \{B\}$.
- (2) $B \notin Args'$. Then $B = A$ (the root of the tree WS). The structure of the WS tree is such that B is defended by the roots of WS'_1, \dots, WS'_n . So B is defended by the strongly admissible set $Args'$. Also $B \notin Args'$, so $Args' \subseteq Args \setminus \{B\}$, therefore satisfying Definition 8.

□

It can also be observed that a winning strategy defines a strongly admissible labelling.

Theorem 10. *Let $Args_P$ be the set of proponent moves and $Args_O$ be the set of opponent moves of a particular winning strategy given an argumentation framework (Ar, att) . It holds that $(Args_P, Args_O, Ar \setminus (Args_P \cup Args_O))$ is a strongly admissible labelling.*

Proof. Given that $Args_P$ is strongly admissible (Theorem 9) it then follows from Theorem 7 that $Lab_{PP+} = (Args_P, Args_P^+, Ar \setminus (Args_P \cup Args_P^+))$ is a strongly admissible labelling. Now consider $Lab_{PO} = (Args_P, Args_O, Ar \setminus (Args_P \cup Args_O))$. Notice that $Args_P^- \subseteq Args_P^+$, otherwise $Args_P$ would not be an admissible set. Also, from the structure of a winning strategy (with the Opponent playing all possible attackers of each Proponent move as its children) it follows that $Args_O = Args_P^-$. Hence, $Args_O \subseteq Args_P^+$. Lab_{PO} has the same min-max numbering as Lab_{PP+} (minus the arguments that are no longer out in Lab_{PO} , since $out(Lab_{PO}) \subseteq out(Lab_{PP+})$, as $Args_O \subseteq Args_P^+$). This is because the out-labelled arguments in $Args_P^+ \setminus Args_O$ do not influence the min-max numbers of the in-labelled arguments in $Args_P$. It then follows that the min-max numbers of the out-labelled arguments in Lab_{PO} also stay the same. Hence, the min-max numbering of Lab_{PO} is essentially a restricted version (with a smaller domain) of the min-max numbering of Lab_{PP+} . So from the fact that Lab_{PP+} is a strongly admissible labelling (not yielding ∞) it directly follows that Lab_{PO} is a strongly admissible labelling (not yielding ∞). □

Hence, given a winning strategy of the Standard Grounded Game, the set of all proponent moves and the set of all opponent moves essentially define a strongly admissible labelling.

6.2. The Grounded Discussion Game

Like the Standard Grounded Game, the Grounded Discussion Game [10] is a proof procedure to determine whether a particular argument is a member of the grounded extension. The game has two players (proponent and opponent) and is based on four different moves, each of which has an argument as a parameter.

HTB(A) (“A has to be the case”)

With this move, the proponent claims that argument A has to be labelled *in* by every complete labelling (and hence also has to be labelled *in* by the grounded labelling).

1 *CB(B)* (“*B* can be the case, or at least cannot be ruled out”)

2 With this move, the opponent claims that argument *B* does not have to be labelled *out* by every
3 complete labelling. That is, the opponent claims there exists at least one complete labelling where
4 *B* is labelled *in* or *undec*, and that *B* is therefore not labelled *out* by the grounded labelling.

5 *CONCEDE(A)* (“Fair enough, I agree that *A* has to be the case”)

6 With this move, the opponent indicates that he now agrees with the proponent (who previously
7 did a *HTB(A)* move) that *A* has to be the case (labelled *in* by every complete labelling, including
8 the grounded labelling).

9 *RETRACT(B)* (“Fair enough, I give up that *B* can be the case”)

10 With this move, the opponent indicates that he no longer believes that argument *B* can be *in* or
11 *undec*. That is, the opponent acknowledges that *B* has to be labelled *out* by every complete
12 labelling, including the grounded labelling.

13
14 One of the key ideas of the discussion game is that the proponent has burden of proof. He has to
15 establish the acceptance of the main argument. The opponent merely has to cast sufficient doubts. Also,
16 the proponent has to make sure that the discussion does not go around in circles.

17 The game starts with the proponent uttering a *HTB* statement. After each *HTB* statement (either the
18 first one or a subsequent one) the opponent utters a sequence of one or more *CB*, *CONCEDE* and
19 *RETRACT* statements, after which the proponent again utters an *HTB* statement, etc. In the argumenta-
20 tion framework of Figure 1 the discussion could go as follows.

21
22 (1) P: *HTB(C)* (4) O: *CONCEDE(A)*
23 (2) O: *CB(B)* (5) O: *RETRACT(B)*
24 (3) P: *HTB(A)* (6) O: *CONCEDE(C)*

25 In the above discussion, *C* is called *the main argument* (the argument the discussion starts with). The
26 discussion ends with the main argument being conceded by the opponent, which means the proponent
27 wins the discussion.

28 As an example of a discussion that is lost by the proponent, it can be illustrative to examine what
29 happens if, still in the argumentation framework of Figure 1, the proponent claims that *B* has to be the
30 case.

31
32 (1) P: *HTB(B)* (2) O: *CB(A)*

33
34 After the second move, the discussion is terminated, as the proponent cannot move anymore, since *A*
35 does not have any attackers. This brings us to the precise preconditions of the discussion moves.

36
37 *HTB(A)* This is either the first move, or the previous move was *CB(B)*, where *A* attacks *B*, and no
38 *CONCEDE* or *RETRACT* move is applicable.

39 *CB(A)* *A* is an attacker of the last *HTB(B)* statement that is not yet conceded, the directly preceding
40 move was not a *CB* statement, argument *A* has not yet been retracted, and no *CONCEDE* or
41 *RETRACT* move is applicable.

42 *CONCEDE(A)* There has been a *HTB(A)* statement in the past, of which every attacker has been re-
43 tracted, and *CONCEDE(A)* has not yet been moved.

44 *RETRACT(A)* There has been a *CB(A)* statement in the past, of which there exists an attacker that has
45 been conceded, and *RETRACT(A)* has not yet been moved.
46

Apart from the preconditions mentioned above, all four statements also have the additional precondition that no *HTB-CB* repeats have occurred. That is, there should be no argument for which *HTB* has been uttered more than once, *CB* has been uttered more than once, or both *HTB* and *CB* have been uttered. In the first and second case, the discussion is going around in circles (which the proponent has to prevent, since he has burden of proof). In the third case, the proponent has been contradicting himself, as his statements are not conflict-free. In each of these three cases, the discussion comes to an end with no move being applicable anymore.

The above conditions are made formal in the following definition.

Definition 13. Let (Ar, att) be an argumentation framework. A grounded discussion is a sequence of discussion moves constructed by applying the following principles.

BASIS (HTB) If $A \in Ar$ then $[HTB(A)]$ is a grounded discussion.

STEP (HTB) If $[M_1, \dots, M_n]$ ($n \geq 1$) is a grounded discussion without *HTB-CB* repeats,⁸ and no *CONCEDE* or *RETRACT* move is applicable,⁹ and $M_n = CB(A)$ and B is an attacker of A then $[M_1, \dots, M_n, HTB(B)]$ is also a grounded discussion.

STEP (CB) If $[M_1, \dots, M_n]$ ($n \geq 1$) is a grounded discussion without *HTB-CB* repeats, and no *CONCEDE* or *RETRACT* move is applicable, and M_n is not a *CB* move, and there is a move $M_i = HTB(A)$ ($i \in \{1 \dots n\}$) such that the discussion does not contain *CONCEDE*(A), and for each move $M_j = HTB(A')$ ($j > i$) the discussion contains a move *CONCEDE*(A'), and B is an attacker of A such that the discussion does not contain a move *RETRACT*(B), then $[M_1, \dots, M_n, CB(B)]$ is a grounded discussion.

STEP (CONCEDE) If $[M_1, \dots, M_n]$ ($n \geq 1$) is a grounded discussion without *HTB-CB* repeats, and *CONCEDE*(B) is applicable then $[M_1, \dots, M_n, CONCEDE(B)]$ is a grounded discussion.

STEP (RETRACT) If $[M_1, \dots, M_n]$ ($n \geq 1$) is a grounded discussion without *HTB-CB* repeats, and *RETRACT*(B) is applicable then $[M_1, \dots, M_n, RETRACT(B)]$ is a grounded discussion.

It can be observed that the preconditions of the moves are such that a proponent move (*HTB*) can never be applicable at the same moment as an opponent move (*CB*, *CONCEDE* or *RETRACT*). That is, proponent and opponent essentially take turns in which each proponent turn consists of a single *HTB* statement, and every opponent turn consists of a sequence of *CONCEDE*, *RETRACT* and *CB* moves.

Definition 14. A grounded discussion $[M_1, M_2, \dots, M_n]$ is called terminated iff there exists no move M_{n+1} such that $[M_1, M_2, \dots, M_n, M_{n+1}]$ is a grounded discussion. A terminated grounded discussion (with M_1 being *HTB*(A) for some $A \in Ar$) is won by the proponent iff the discussion contains *CONCEDE*(A), otherwise it is won by the opponent.

To illustrate why the discussion has to be terminated after the occurrence of a *HTB-CB* repeat, consider the following discussion in the argumentation framework of Figure 1.

⁸We say that there is a *HTB-CB* repeat iff $\exists i, j \in \{1, \dots, n\} \exists A \in Ar : (M_i = HTB(A) \vee M_j = CB(A)) \wedge (M_j = HTB(A) \vee M_i = CB(A)) \wedge i \neq j$.

⁹A move *CONCEDE*(B) is applicable iff the discussion contains a move *HTB*(A) and for every attacker A of B the discussion contains a move *RETRACT*(B), and the discussion does not already contain a move *CONCEDE*(B). A move *RETRACT*(B) is applicable iff the discussion contains a move *CB*(B) and there is an attacker A of B such that the discussion contains a move *CONCEDE*(A), and the discussion does not already contain a move *RETRACT*(B).

- (1) P: $HTB(G)$ (3) P: $HTB(G)$
 (2) O: $CB(H)$

After the third move, an $HTB-CB$ repeat occurs and the discussion is terminated (opponent wins). Hence, termination after a $HTB-CB$ repeat is necessary to prevent the discussion from going on perpetually.

It has been proved [10, 21] that the Grounded Discussion Game is a sound and complete proof procedure for determining whether an argument is in the grounded extension. More specifically,

(soundness) if a discussion for a particular argument has been won by the proponent, then the argument is in the grounded extension, and

(completeness) if an argument is in the grounded extension, then the proponent is able to win the game for the argument (that is, the proponent has a winning strategy)

As for the first point (soundness) it can be observed that if one would label the arguments of $CONCEDE$ moves in , the arguments of $RETRACT$ moves out and all other arguments $undec$, the result is a strongly admissible labelling at each state of the discussion game. If this game is ultimately won by the proponent, then the main argument has been $CONCEDEd$. Hence, the result is a strongly admissible labelling where the main argument is labelled in . This means the main argument is in the grounded extension.

As for the second point (completeness) it can be observed that the grounded labelling, together with its associated min-max numbering, serves as a roadmap that allows the proponent to win the game. In essence, the proponent does this by using only in labelled arguments to select the HTB moves, and to select the in labelled argument with a lowest min-max number whenever there is a choice. We refer to [10, 21] for details.

6.3. The Standard Grounded Game (SGG) vs. the Grounded Discussion Game (GDG)

So far, we have seen that both the SGG and the GPG show membership of the grounded extension essentially by building a strongly admissible labelling where the argument in question is labelled in .¹⁰ This raises the question of how many steps each of these games requires for doing so. Consider the argumentation framework of Figure 4 (top left). The winning strategy of the SGG is in the same figure (top right). Now consider what would happen if one would start to extend the argumentation framework by duplicating the middle part. That is, suppose we have arguments B_1, \dots, B_n and C_1, \dots, C_n (with n being an odd number), as well as arguments A and D . Suppose that for every $i \in \{1, \dots, n-1\}$ B_{i+1} attacks B_i , and C_{i+1} attacks C_i , and that for each *even* $i \in \{2, \dots, n-1\}$ B_{i+1} attacks C_i , and C_{i+1} attacks B_i , and that B_1 and C_1 attack A , and that D attacks B_n and C_n . In that case, the branches in the SGG winning strategy would split at every O-move. So for $n = 3$ (as is the case in Figure 4) the number of branches is four, for $n = 5$ it is eight, etc. In general, the number of branches in the SGG winning strategy is $2^{(n+1)/2}$, with the number of nodes in the SGG winning strategy being $1 + 2 \sum_{i=1}^{(n+1)/2} 2^i$. Hence, the number of steps needed in a winning strategy of the SGG can be *exponential* in relation to the in/out -size¹¹ of the strongly admissible labelling that the SGG winning strategy is constructing.¹²

¹⁰Similarly, it can be observed that for instance the credulous preferred game [22, 23] shows membership of a preferred extension essentially by building an admissible labelling around the argument in question.

¹¹We recall that with the in/out -size of a labelling Lab we mean $|in(Lab) \cup out(Lab)|$.

¹²We thank Mikołaj Podlaszewski for this example.

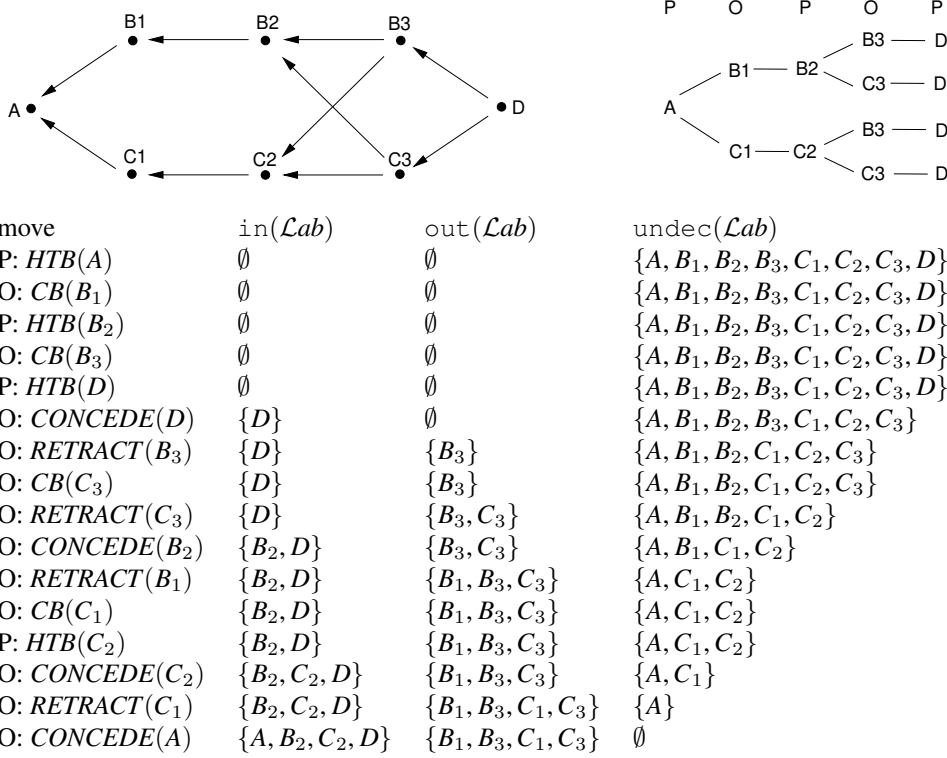


Fig. 4. The Standard Grounded Game (SGG) versus the Grounded Discussion Game (GDG).

As for the Grounded Discussion Game, the situation is different. It can be proven [10, 21] that the proponent always has a strategy for the game that results in the total number of moves being $2 \cdot |\text{in}(\mathcal{L}ab)| + 2 \cdot |\text{out}(\mathcal{L}ab)|$ where $\mathcal{L}ab$ the strongly admissible labelling that is built up during the discussion game. This labelling is such that $\text{in}(\mathcal{L}ab)$ consists of all arguments that have been subject to a $CONCEDE$ move and $\text{out}(\mathcal{L}ab)$ consists of all arguments that have been subject to a $RETRACT$ move. An example of a game that results from such a strategy is provided in Figure 4.

Overall, we observe that both the Standard Grounded Game and the Grounded Discussion Game prove that an argument is in the grounded extension by building a strongly admissible labelling around it. However, where the Standard Grounded Game can require a number of moves that is *exponential* in relation to the in/out-size of the strongly admissible labelling, the Grounded Discussion game requires a number of moves that is always *linear* in relation to the in/out-size of the strongly admissible labelling.

7. Discussion and Future Research

In the current paper, we have re-examined the concept of strong admissibility, from both theoretical and practical perspectives. From theoretical perspective, we have observed that the strongly admissible sets form a lattice with the empty set as bottom element and the grounded extension as top element. Also, we have developed the concept of a strongly admissible labelling, and shown how it relates to the concept

of a strongly admissible set. From practical perspective, we have examined how strongly admissible labellings lie at the basis of both the Standard Grounded Game [8] and the Grounded Discussion Game [10, 21]. Although both essentially construct a strongly admissible labelling around the argument in question, the Grounded Discussion Game does so using a linear number of steps, whereas the Standard Grounded Game can require an exponential number of steps.

An alternative definition of a strongly admissible set is given by Baumann *et al.* [24]. Basically, the idea is that a set of $Args$ is strongly admissible iff there are finitely many and pairwise disjoint sets A_1, \dots, A_n such that (1) $Args = \cup_{i=1}^n A_i$, (2) $A_1 \subseteq F(\emptyset)$, and (3) $\cup_{i=1}^j A_i$ defends A_{j+1} ($1 \leq j < n$). Baumann *et al.* [24] prove that their definition is equivalent with Definition 8 of the current paper (which first appeared in [11]). One particular issue with their definition is that they do not specify how to actually obtain the sequence A_1, \dots, A_n . However, we observe that it is fairly easy to convert the sequence H^0, H^1, H^2, \dots as specified in Lemma 2 to a corresponding sequence A_1, \dots, A_n . This can be done by first identifying n to be the lowest number such that $H^n = H^{n+1}$ (which implies that $H^m = H^n$ for each $m \geq n$) and then taking $A_1 = H^1$ and $A_{i+1} = H^{i+1} \setminus H^i$ ($1 \leq i < n$).

The idea of numbering arguments (such as is done in a min-max numbering) can be traced back to the work of Pollock [25], who gives an iterative procedure (basically for computing the grounded extension, as is explained by Dung [1]) in which arguments become *in* and *out* at different levels during the algorithm [25, Algorithm 2]. It has to be mentioned, however, that Pollock's algorithm (the ideas of which have also been applied in [26]) computes the entire grounded extension (in a way that is similar to what is done in [8]) and is not applicable to the concept of a strongly admissible set (or labelling) in general.

One of the things to be examined in the future is how the concept of strong admissibility can be useful in identifying the shortest discussion that shows an argument (A) is in the grounded extension. For instance, we conjecture that for each minimal (w.r.t. \sqsubseteq) strongly admissible labelling that labels A *in*, there exists a discussion under the Grounded Persuasion Game for argument A that builds precisely this labelling. However, there can be more than one such labelling. For argument F in Figure 1, for instance, both $(\{A, C, F\}, \{B, E\}, \{D, G, H\})$ and $(\{D, F\}, \{E\}, \{A, B, C, G, H\})$ are minimal (w.r.t. \sqsubseteq) strongly admissible labellings that label F *in*, but the *in/out*-size of the second labelling is smaller than that of the first labelling, thus yielding a shorter discussion. How to precisely obtain such a strongly admissible labelling with minimal size is a topic for further investigation.

Finally there are a number of questions that would merit further consideration with respect to complexity issues. For example, although the canonical decision problems (credulous and sceptical acceptance, verification) for the strong admissibility semantics are tractable having polynomial-time sequential algorithms, it seems unlikely that verification would have efficient parallel algorithms. The notion of "efficient parallel algorithm" being one that can be realised using a logarithmic depth Boolean combinational circuit. A formal demonstration that such is indeed the case would be achieved by showing the verification problem to be P-complete. In view of the supporting technical detail that would be required in exploring this question we have not pursued it in the the current article.

As for determining whether for a particular argumentation framework, the admissible sets and strongly admissible sets coincide, it is easy to see by considering the standard reduction from CNF-UNSAT to the existence of non-empty preferred extensions [27, p.92] that deciding if all admissible sets are strongly admissible is coNP-complete.

A question of some considerable interest whose status is far from clear concerns the following: given two argumentation frameworks (Ar, att_1) and (Ar, att_2) (that is with identical arguments but not necessarily identical attacks), do their strongly admissible sets coincide? That is, is the case that

$\mathcal{E}_{sa}(\langle Ar, att_1 \rangle) = \mathcal{E}_{sa}(\langle Ar, att_2 \rangle)$? Alternatively we could examine if $|\mathcal{E}_{sa}(\langle Ar, att_1 \rangle)| = |\mathcal{E}_{sa}(\langle Ar, att_2 \rangle)|$. It is worth noting that the “equivalence by set equality” is only one such definition, but there are alternatives: we could also ask about the existence of a relabelling of arguments so that the two frameworks become identical. It is worth noting two further aspects of this question: firstly, unlike previously studied and superficially similar problems, e.g. coincidence of stable and preferred semantics from [28] the question involves more than a single framework (although given an appropriate semantics, σ , the question $\mathcal{E}_\sigma(\langle Ar, att \rangle) = \mathcal{E}_{sa}(\langle Ar, att \rangle)$ may also be non-trivial: while some instances, e.g. preferred semantics, reduce to known cases since $\mathcal{E}_{pr}(\langle Ar, att \rangle) = \mathcal{E}_{sa}(\langle Ar, att \rangle)$ if and only if $\mathcal{E}_{pr}(\langle Ar, att \rangle) = \{\emptyset\}$ others are less so). A second point is the how much “obvious” necessary conditions can be exploited, e.g. “in order for $\mathcal{E}_{sa}(\langle Ar, att_1 \rangle) = \mathcal{E}_{sa}(\langle Ar, att_2 \rangle)$ to hold the number of unattacked arguments in each must be equal” (otherwise there will be different single argument strongly admissible sets in the two). While conditions such as these suggest a natural way of progressing from single to two to k argument set comparisons, there is potentially an exponential increase in the number of sets being compared as the process continues. Such further algorithmic and complexity issues are the topic of continuing work.

Thanks

We would like to thank Ringo Baumann and the anonymous reviewers for their useful comments.

References

- [1] P.M. Dung, On the acceptability of arguments and its fundamental role in nonmonotonic reasoning, logic programming and n -person games, *Artificial Intelligence* **77** (1995), 321–357.
- [2] P. Baroni, M.W.A. Caminada and M. Giacomin, An Introduction to Argumentation Semantics, *Knowledge Engineering Review* **26**(4) (2011), 365–410.
- [3] T.J.M. Bench-Capon, Dilemmas and paradoxes: cycles in argumentation frameworks, *Journal of Logic and Computation* (2014).
- [4] M.W.A. Caminada and L. Amgoud, On the evaluation of argumentation formalisms, *Artificial Intelligence* **171**(5–6) (2007), 286–310.
- [5] S. Modgil and H. Prakken, A general account of argumentation with preferences, *Artificial Intelligence* **195** (2013), 361–397.
- [6] H. Prakken, An abstract framework for argumentation with structured arguments, *Argument and Computation* **1**(2) (2010), 93–124.
- [7] P. Baroni and M. Giacomin, On principle-based evaluation of extension-based argumentation semantics, *Artificial Intelligence* **171**(10–15) (2007), 675–700.
- [8] S. Modgil and M.W.A. Caminada, Proof Theories and Algorithms for Abstract Argumentation Frameworks, in: *Argumentation in Artificial Intelligence*, I. Rahwan and G.R. Simari, eds, Springer, 2009, pp. 105–129.
- [9] H. Prakken and G. Sartor, Argument-based extended logic programming with defeasible priorities, *Journal of Applied Non-Classical Logics* **7** (1997), 25–75.
- [10] M.W.A. Caminada, A Discussion Game for Grounded Semantics, in: *Theory and Applications of Formal Argumentation (proceedings TAFE 2015)*, E. Black, S. Modgil and N. Oren, eds, Springer, 2015, pp. 59–73.
- [11] M.W.A. Caminada, Strong Admissibility Revisited, in: *Computational Models of Argument; Proceedings of COMMA 2014*, S. Parsons, N. Oren, C. Reed and F. Cerutti, eds, IOS Press, 2014, pp. 197–208.
- [12] M.W.A. Caminada and M. Podlaskowski, Grounded Semantics as Persuasion Dialogue, in: *Computational Models of Argument - Proceedings of COMMA 2012*, B. Verheij, S. Szeider and S. Woltran, eds, 2012, pp. 478–485.
- [13] M.W.A. Caminada and G. Pigozzi, On Judgment Aggregation in Abstract Argumentation, *Autonomous Agents and Multi-Agent Systems* **22**(1) (2011), 64–102.
- [14] M.W.A. Caminada and D.M. Gabbay, A logical account of formal argumentation, *Studia Logica* **93**(2–3) (2009), 109–145, Special issue: new ideas in argumentation theory.

- 1 [15] M.W.A. Caminada, On the Issue of reinstatement in Argumentation, in: *Logics in Artificial Intelligence; 10th European Conference, JELIA 2006*, M. Fischer, W. van der Hoek, B. Konev and A. Lisitsa, eds, Springer, 2006, pp. 111–123, LNAI 4160. 1
- 2 2
- 3 [16] M.W.A. Caminada, An Algorithm for Computing Semi-Stable Semantics, in: *Proceedings of the 9th European Conference on Symbolic and Quantitative Approaches to Reasoning with Uncertainty (ECSQARU 2007)*, Springer Lecture Notes in AI, Springer Verlag, Berlin, 2007, pp. 222–234. 3
- 4 4
- 5 [17] S. Nofal, K. Atkinson and P.E. Dunne, Algorithms for decision problems in argumentation systems under preferred semantics, *Artificial Intelligence* **207** (2014), 23–51. 5
- 6 6
- 7 [18] M.W.A. Caminada, G. Pigozzi and M. Podlaszewski, Manipulation in group argument evaluation, in: *Proceedings of the Twenty-Second International Joint Conference on Artificial Intelligence*, T. Walsh, ed., 2011, pp. 121–126. 7
- 8 8
- 9 [19] R. Booth, M.W.A. Caminada, M. Podlaszewski and I. Rahwan, Quantifying Disagreement in Argument-based Reasoning, in: *Proceedings of the 11th international conference on autonomous agents and multiagent systems*, 2012. 9
- 10 [20] M.W.A. Caminada, For the sake of the Argument. Explorations into argument-based reasoning, PhD thesis, Vrije Universiteit Amsterdam, 2004. 10
- 11 11
- 12 [21] M.W.A. Caminada, A Discussion Protocol for Grounded Semantics (proofs), Technical Report, University of Aberdeen, 2015. 12
- 13 [22] M.W.A. Caminada, W. Dvořák and S. Vesic, Preferred Semantics as Socratic Discussion, *Journal of Logic and Computation* **26** (2014), 1257–1292. 13
- 14 14
- 15 [23] G.A.W. Vreeswijk and H. Prakken, Credulous and sceptical argument games for preferred semantics, in: *Proceedings of the 7th European Workshop on Logic for Artificial Intelligence (JELIA-00)*, Springer Lecture Notes in AI, Springer Verlag, Berlin, 2000, pp. 239–253. 15
- 16 16
- 17 [24] R. Baumann, T. Linsbichler and S. Woltran, Verifiability of Argumentation Semantics, in: *Computational Models of Argument; proceedings of COMMA 2016*, P. Baroni, T.F. Gordon, T. Scheffler and M. Stede, eds, 2016, pp. 83–94. 17
- 18 18
- 19 [25] J.L. Pollock, How to reason defeasibly, *Artificial Intelligence* **57** (1992), 1–42. 19
- 20 [26] P. Baroni and M. Giacomin, Self-stabilizing defeat status computation: dealing with conflict management in multi-agent systems, *Artificial Intelligence* **165** (2005), 187–259. 20
- 21 [27] P.E. Dunne and M. Wooldridge, Complexity of Abstract Argumentation, in: *Argumentation in Artificial Intelligence*, I. Rahwan and G.R. Simari, eds, Springer, Berlin, 2009, pp. 85–104. 21
- 22 22
- 23 [28] P.E. Dunne and T.J.M. Bench-Capon, Coherence in Finite Argument Systems, *Artificial Intelligence* **141**(1–2) (2002), 187–203. 23
- 24 24
- 25 25
- 26 26
- 27 27
- 28 28
- 29 29
- 30 30
- 31 31
- 32 32
- 33 33
- 34 34
- 35 35
- 36 36
- 37 37
- 38 38
- 39 39
- 40 40
- 41 41
- 42 42
- 43 43
- 44 44
- 45 45
- 46 46